

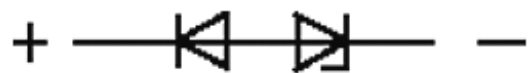
SUPPRESSOR FOR SIEMENS CONTACTOR

Diode combination, 24 VDC, 36 W

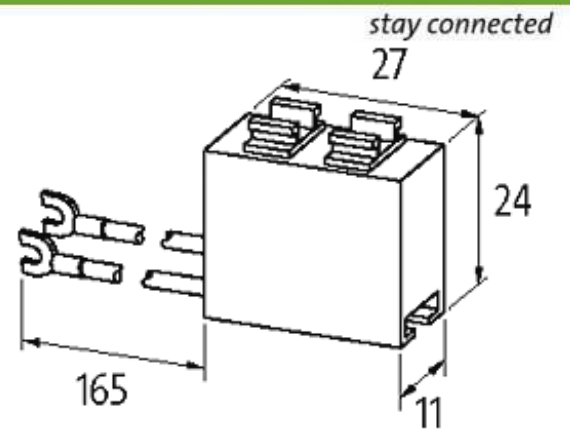
24 V DC

Diode/Z-Diode

For other configurations and voltages, please inquire

[Link to Product](#)**Illustration**

Diode/Z-Diode



Product may differ from Image

Approvals



Appropriate contactors

universal

General data

Temperature range	-20...+70 °C
Dimensions H × W × D	11×27×24 mm

Commercial data

country of origin	CZ
customs tariff number	85363010
minimum order quantity	1