

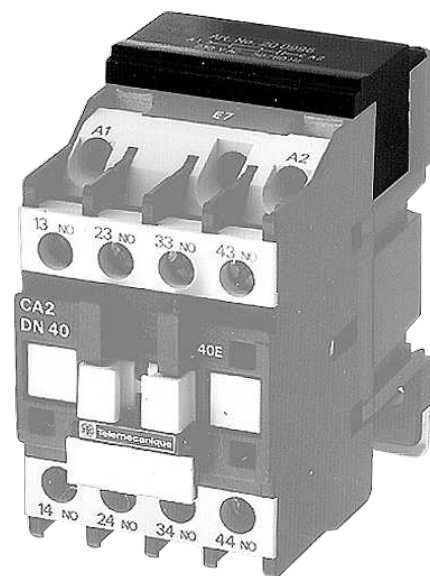
**TELEMECANIQUE CONTACTOR SUPPRESSOR**

Diode, 0...240VDC

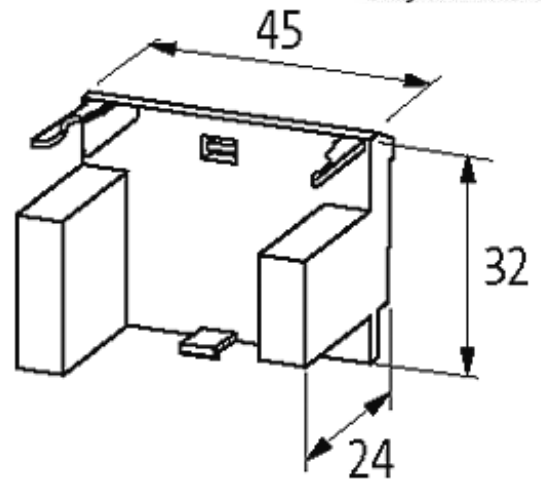
24...240 V DC

Diode

For other configurations and voltages, please inquire

[Link to Product](#)**Illustration**

Diode

*stay connected*

Product may differ from Image

### Appropriate contactors

CA 2 DN, CA 3 DN, Serie "d", LC 1 D09...D32, LP 1 D0...D32  
 NC 1-09(Z)...NC 1-32(Z)

### General data

Temperature range -20...+70 °C  
 Dimensions H × W × D 24×45×32 mm

### Commercial data

country of origin CZ  
 customs tariff number 85363010  
 minimum order quantity 1