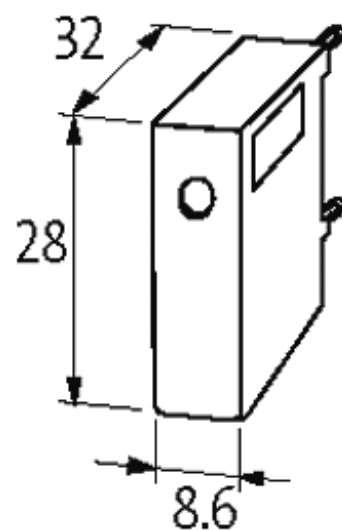


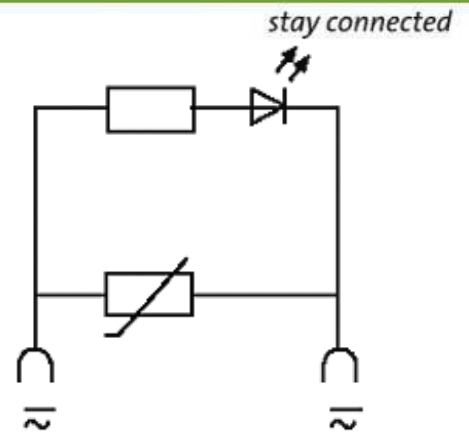
**SIEMENS CONTACTOR SUPPRESSOR**

Varistor and LED, 230VAC/DC

230 V AC/DC  
VDR + LED

For other configurations and voltages, please inquire

[Link to Product](#)**Illustration**



VDR + LED

Product may differ from Image

### Approvals



### Appropriate contactors

3 RH 1/11; 3 RT 1/3 RH1; 3 RT 1/10.15...10.17

### General data

|                      |              |
|----------------------|--------------|
| Temperature range    | -20...+70 °C |
| Dimensions H × W × D | 28×8.6×32 mm |

### Commercial data

|                        |          |
|------------------------|----------|
| country of origin      | DE       |
| customs tariff number  | 85363010 |
| minimum order quantity | 1        |