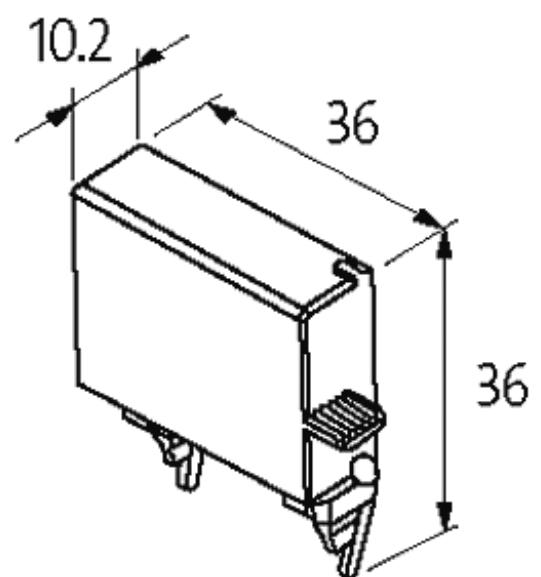
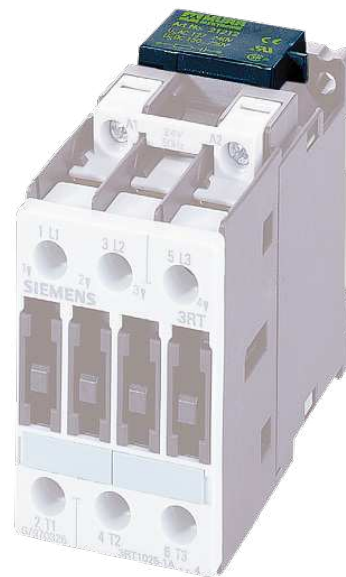


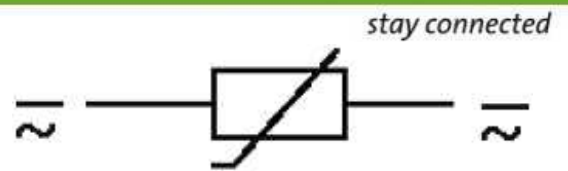
SIEMENS CONTACTOR SUPPRESSOR

Varistor, 24VAC/DC

24 V AC/DC
VDR

For other configurations and voltages, please inquire

[Link to Product](#)**Illustration**



VDR

Product may differ from Image

Approvals



Appropriate contactors

3 RT 10.24/25/26

3 RT 1.3/1.4

General data

Temperature range -20...+70 °C

Dimensions H × W × D 36×36×10.2 mm

Commercial data

country of origin CZ

customs tariff number 85363010

minimum order quantity 1