

SIEMENS CONTACTOR SUPPRESSOR

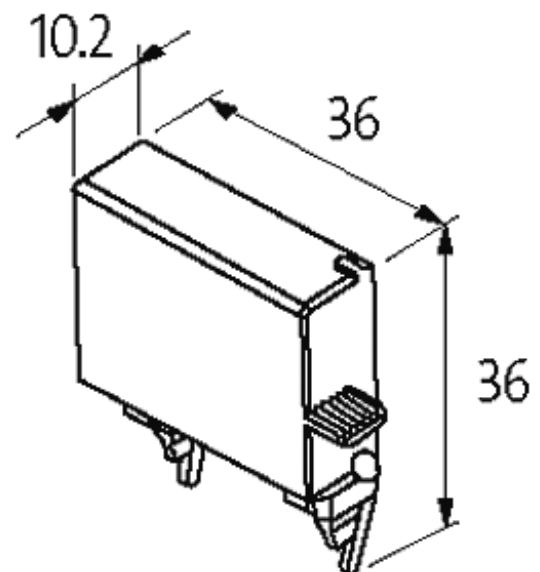
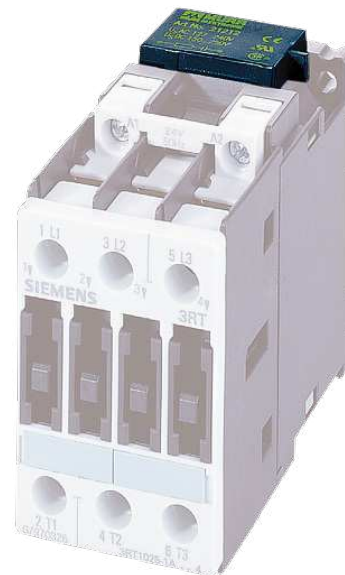
Diode, 0...240VDC

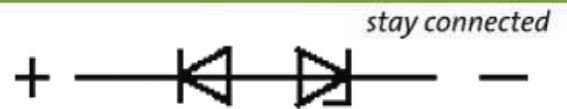
24 V DC

Diode/Z-Diode

Mounts on the underside of the contactor

For other configurations and voltages, please inquire

[Link to Product](#)**Illustration**



Diode/Z-Diode

Product may differ from Image

Appropriate contactors

3 RT 10.24/25/26

General data

Dimensions H × W × D 36×36×10.2 mm

Temperature range -20...+70 °C

Commercial data

country of origin CZ

customs tariff number 85363010

minimum order quantity 1