

SIEMENS CONTACTOR SUPPRESSOR

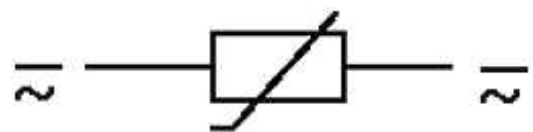
Varistor, 48VAC/DC

24 V AC/DC
VDR

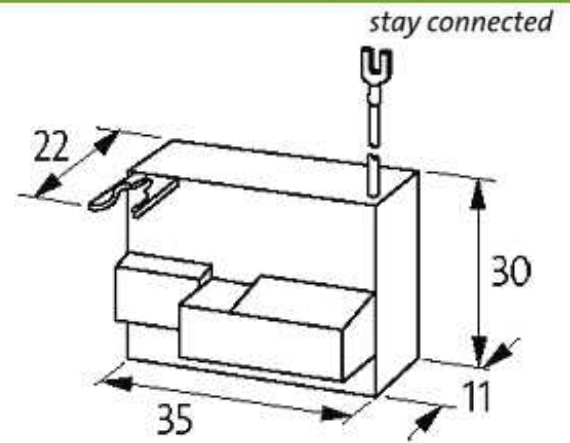
For other configurations and voltages, please inquire

[Link to Product](#)

Illustration



VDR



Product may differ from Image

Approvals



Appropriate contactors

3 TH 3/4; 3 TF 30...35; 3 TF 40...45

General data

Temperature range	-20...+70 °C
Dimensions H × W × D	35×22×30 mm

Technical Data

Damping factor	approx. 1.5 × UN
Material	Flame retardant plastic acc. to (UL 94)
Connection wires	self-securing cable forks

Commercial data

country of origin	CZ
customs tariff number	85363010
minimum order quantity	1