

## UNIVERSAL CONTACTOR SUPPRESSOR

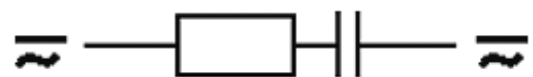
RC, 110VAC/DC/146VAW

110 V AC/DC  
RC

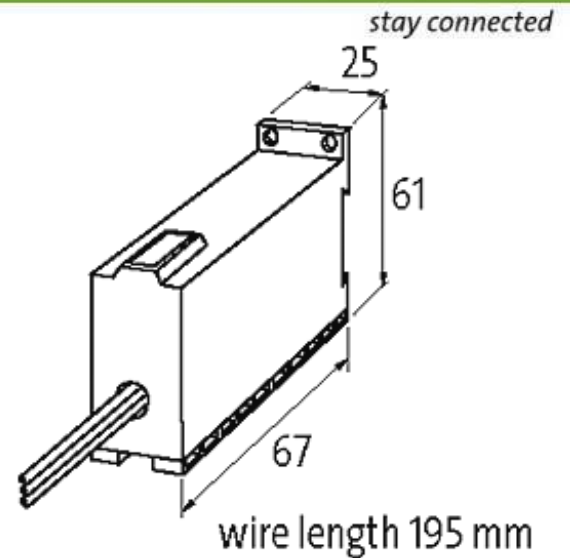
For other configurations and voltages, please inquire

[Link to Product](#)

### Illustration



RC



Product may differ from Image

### Approvals



### Appropriate contactors

universal

### General data

Temperature range	-20...+70 °C
Dimensions H × W × D	61×25×67 mm

### Technical Data

Damping factor	approx. 1.5 × UN
Material	Flame retardant plastic acc. to (UL 94)
Connection wires	self-securing cable forks
Max. power (W)	146 W(VA)

### Commercial data

country of origin	CZ
customs tariff number	85363010
minimum order quantity	1