

## UNIVERSAL CONTACTOR SUPPRESSOR

RC, 400VAC/DC/146VAW

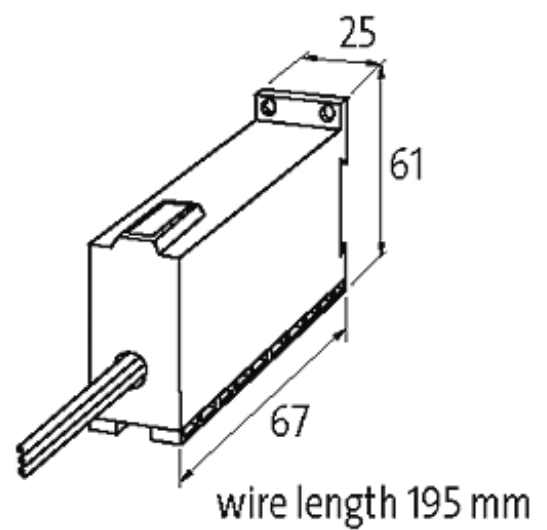
400 V AC/DC

RC

For other configurations and voltages, please inquire

### [Link to Product](#)

#### Illustration





RC

Product may differ from Image

### Approvals



### Appropriate contactors

universal

### General data

Mounting method	with adapter ASA Art.-No. 20900, for DIN-rail mounting (EN 60715)
Temperature range	-20...+70 °C
Dimensions H × W × D	61×25×67 mm

### Technical Data

Max. power (W)	146 W(VA)
----------------	-----------

### Commercial data

country of origin	CZ
customs tariff number	85363010
minimum order quantity	1