

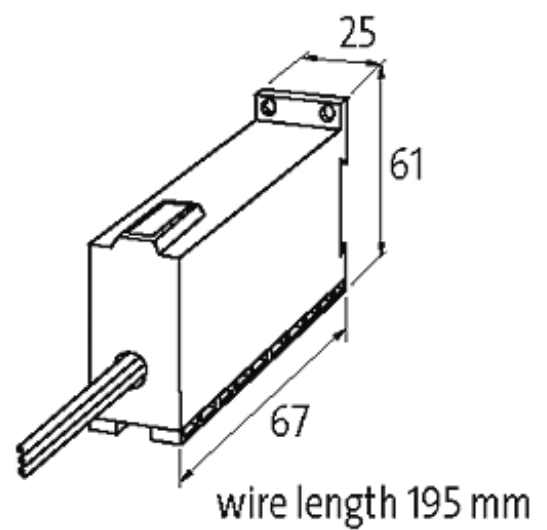
UNIVERSAL CONTACTOR SUPPRESSOR

RC, 600VAC/DC/146VAW

600 V AC/DC

RC

For other configurations and voltages, please inquire

[Link to Product](#)**Illustration**



RC

Product may differ from Image

Approvals



Appropriate contactors

universal

General data

Mounting method	with adapter ASA Art.-No. 20900, for DIN-rail mounting (EN 60715)
Temperature range	-20...+70 °C
Dimensions H × W × D	61×25×67 mm

Technical Data

Max. power (W)	146 W(VA)
----------------	-----------

Commercial data

country of origin	CZ
customs tariff number	85363010
minimum order quantity	1