

## UFL 10 L PLUG FOR SIGNAL TRANSFER

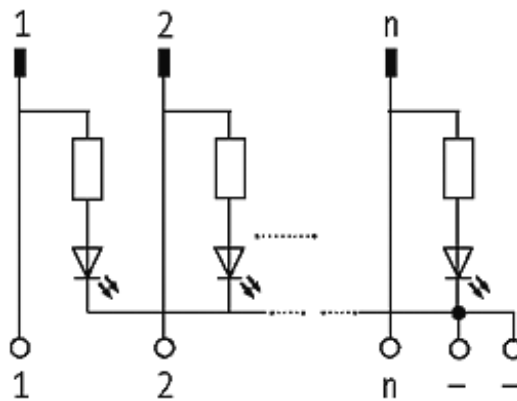
24 VDC / 1 A - male with LED

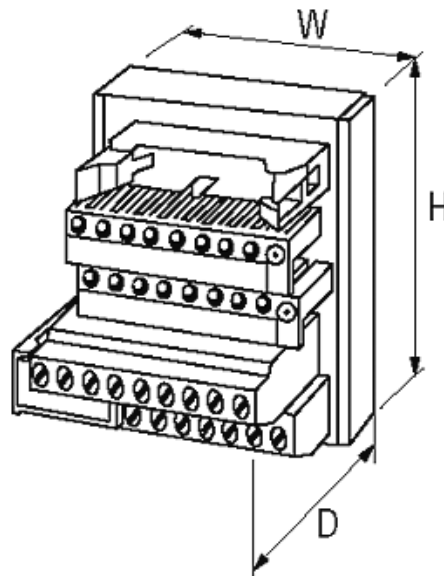
Ribbon cable connector + LED  
10-pole

Via the combined fixing mechanism, connectors with or without strain relief can be connected.

### [Link to Product](#)

#### Illustration





Product may differ from Image

### General data

Mounting method	DIN-rail mountable (EN 60715)
Temperature range	-20...+70 °C
Dimensions H × W × D	63×50×48 mm

### Commercial data

country of origin	CZ
customs tariff number	85366990
minimum order quantity	1