

## UFL 34 L PLUG FOR SIGNAL TRANSFER

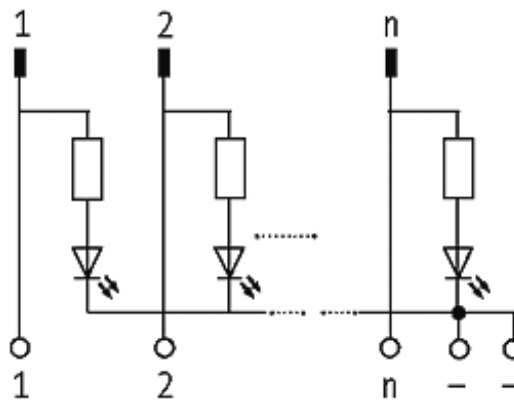
24 VDC / 1 A - male with LED

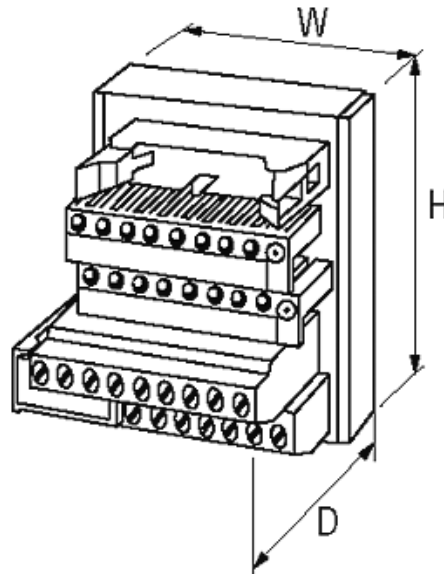
Ribbon cable connector + LED  
34-pole

Via the combined fixing mechanism, connectors with or without strain relief can be connected.

### [Link to Product](#)

#### Illustration





Product may differ from Image

#### General data

|                      |                               |
|----------------------|-------------------------------|
| Mounting method      | DIN-rail mountable (EN 60715) |
| Temperature range    | -20...+70 °C                  |
| Dimensions H × W × D | 63×95×48 mm                   |

#### Commercial data

|                        |          |
|------------------------|----------|
| country of origin      | CZ       |
| customs tariff number  | 85366990 |
| minimum order quantity | 1        |