

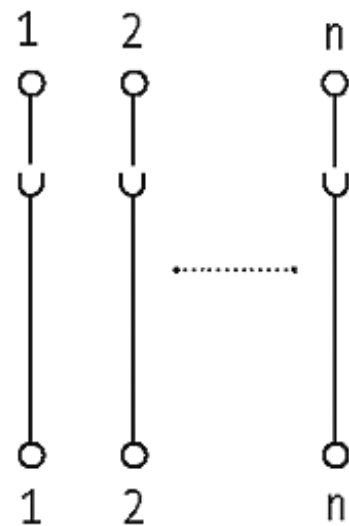
LUGS 16 FOR SIGNAL TRANSFER

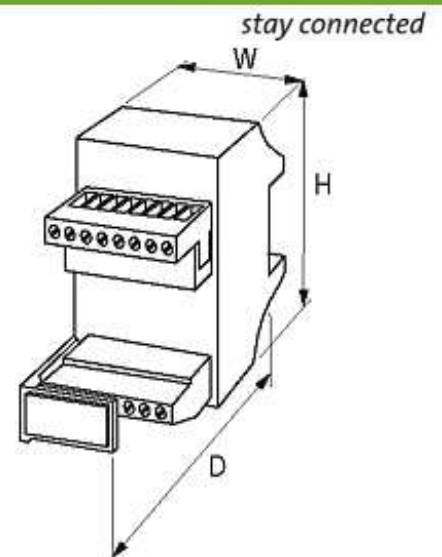
250V / 8 A

16-pole
Screw plug-in terminals

[Link to Product](#)

Illustration





Product may differ from Image

General data

Connection	Screw plug-in terminal: max. 4 mm ² , single wire
Mounting method	DIN-rail mountable (EN 60715)
Dimensions H × W × D	75×45×66 mm
Temperature range	-20...+60 °C

Technical Data

Operating voltage	max. 250 V AC
Operating current per bit	max. 10 A
Material group	EN 60664-1 over voltage, category I

Commercial data

country of origin	CZ
customs tariff number	85369010
minimum order quantity	1