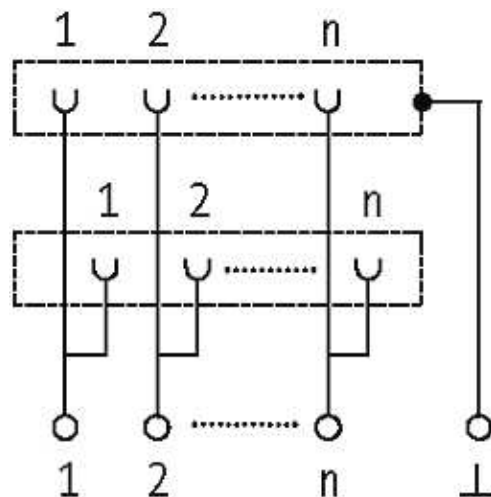


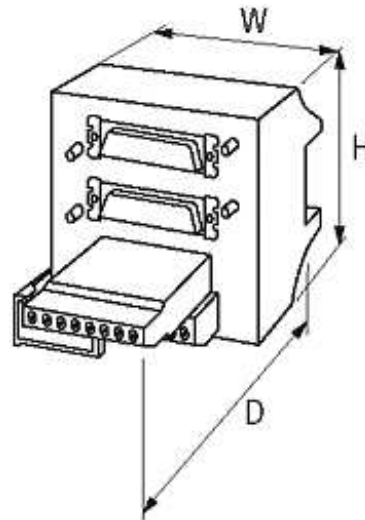
SV-2 X SUB D 37ST-KL FOR SIGNAL TRANSFER

125 VAC/DC / 2 A

Male connector
37-pole
Screw terminals

[Link to Product](#)**Illustration**

Picture: female

stay connected

Product may differ from Image

General data

| | |
|----------------------|-------------------------------|
| Mounting method | DIN-rail mountable (EN 60715) |
| Temperature range | -20...+70 °C |
| Dimensions H × W × D | 86×90×78 mm |

Technical Data

| | |
|------------------|--|
| Locking of ports | Standard UNC 4-40 screw thread bolt (EN 60807) |
|------------------|--|

Commercial data

| | |
|------------------------|----------|
| country of origin | CZ |
| customs tariff number | 85369010 |
| minimum order quantity | 1 |