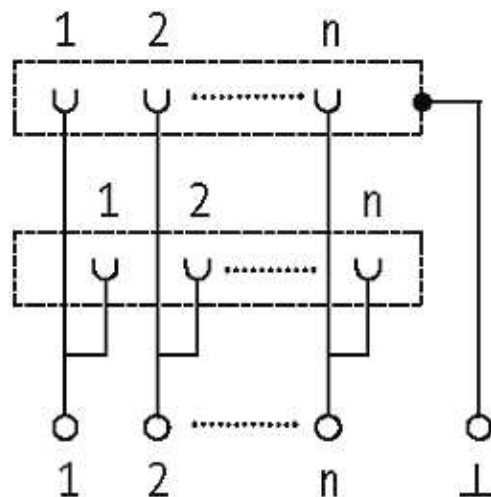


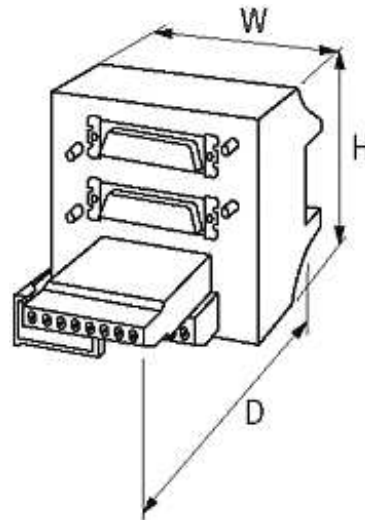
**SV-2 X SUB D 25ST-KL FOR SIGNAL TRANSFER**

125 VAC/DC / 2 A

Male connector  
25-pole  
Screw terminals

[Link to Product](#)**Illustration**

Picture: female

*stay connected*

Product may differ from Image

### General data

Mounting method	DIN-rail mountable (EN 60715)
Temperature range	-20...+70 °C
Dimensions H × W × D	75×90×66 mm

### Technical Data

Locking of ports	Standard UNC 4-40 screw thread bolt (EN 60807)
------------------	--

### Commercial data

country of origin	CZ
customs tariff number	85366990
minimum order quantity	1