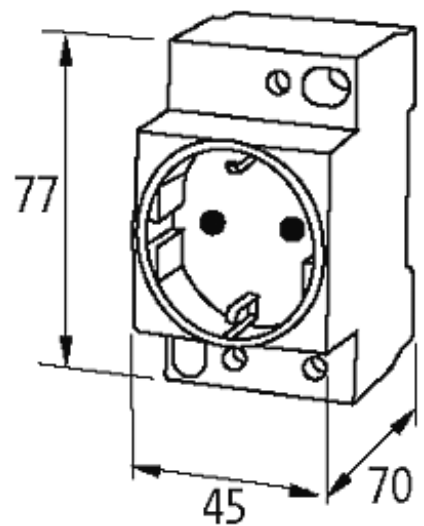


**MSVD POWER SOCKET VDE**

Mounting rail

Germany (VDE) white  
Screw terminals[Link to Product](#)**Illustration**

Product may differ from Image

**Approvals**

VDE

**General data**

Connection	Screw terminals: max. 2 × 6 mm <sup>2</sup>
Mounting method	DIN-rail mountable (EN 60715)
Dimensions H × W × D	77×45×70 mm

**Commercial data**

country of origin	BE
customs tariff number	85366990
minimum order quantity	1