

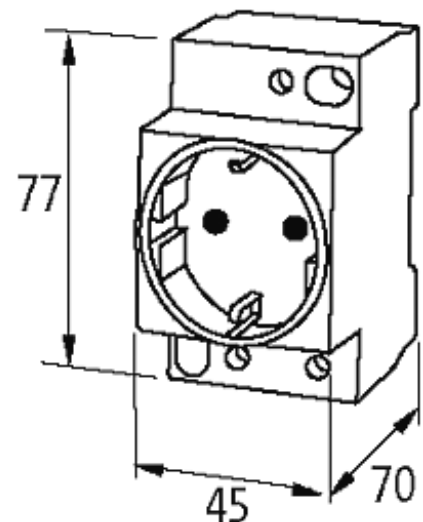
MSVD POWER SOCKET VDE WITH LED

Mounting rail

Germany (VDE) white

Screw terminals

LED (yellow)

[Link to Product](#)**Illustration**

Product may differ from Image

Approvals

VDE

General data

The information in this brochure has been compiled with the utmost care.

Liability for the correctness completeness and topicality of the information is restricted to gross negligence. Version: 05/16

Murrelektronik GmbH | Falkenstraße 3, 71570 Oppenweiler | Fon +49 (71 91) 47-0, Fax +49 (71 91) 47-491000 | shop@murrelektronik.com | shop.murrelektronik.com

Connection	Screw terminals: max. 2 × 6 mm ²
Mounting method	DIN-rail mountable (EN 60715)
Dimensions H × W × D	77×45×70 mm

Commercial data

country of origin	BE
customs tariff number	85366990
minimum order quantity	1