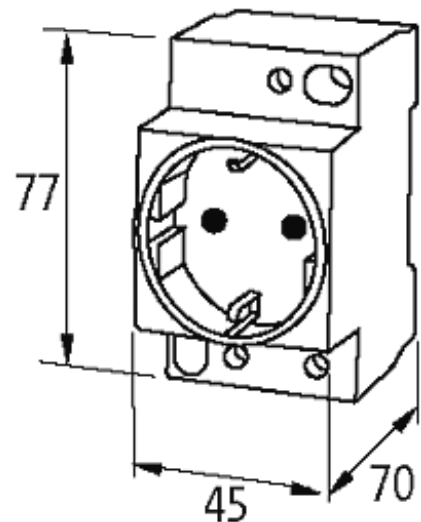


**MSVD POWER SOCKET VDE YELLOW**

Mounting rail

Germany (VDE) yellow  
Screw terminals[Link to Product](#)**Illustration**

Product may differ from Image

**Approvals**

VDE

**General data**

|                      |   |
|----------------------|---|
| Connection           | Screw terminals: max. 2 × 6 mm <sup>2</sup> |
| Mounting method      | DIN-rail mountable (EN 60715)               |
| Dimensions H × W × D | 77×45×70 mm                                 |

**Commercial data**

|                        |          |
|------------------------|----------|
| country of origin      | BE       |
| customs tariff number  | 85366990 |
| minimum order quantity | 1        |