

EVOLUTION POWER SUPPLY 3-PHASE,

IN: 360-520VAC OUT: 22-28V/40ADC

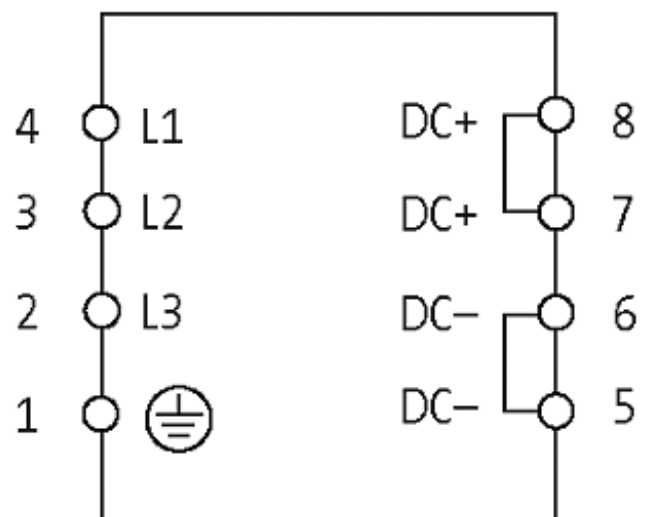
INPUT: 3×360...520 V AC/480...745 V DC

OUTPUT: 24 V DC ± 1%

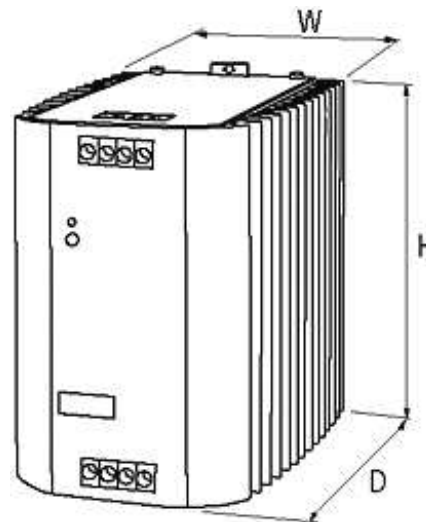
Current: 40 A

[Link to Product](#)

Illustration

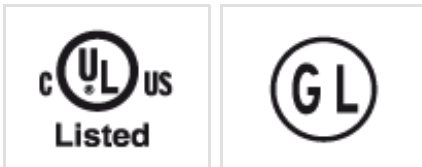


stay connected



Product may differ from Image

Approvals



Input

| | |
|-------------------------|-----------------------------------|
| Input voltage | 3 × 324...572 V AC/480...745 V DC |
| Input current | 3 × 2.4 A |
| Primary fusing external | max. 3 × 20 A |
| Frequency | 50...60 Hz |

General data

| | |
|----------------------|--|
| Standards | EN 60950-1, EN 61204-3, EN 55022 B, EN 61000-3-2, SEMI F47 |
| Relative humidity | 5...95 %, no condensation |
| Efficiency | 90 % |
| Mounting method | DIN-rail mountable TH35 (EN 60715) |
| Dimensions H × W × D | 132×164×142 mm |
| Protection | IP20 |
| Temperature range | -25...+70 °C (storage temperature -40...+85 °C) |

Output

| | |
|-----------------------------|--|
| Output voltage | 24 V DC (SELV), ±1 %; 22...28 V adjustable |
| Output current | 40 A (+55 °C); 30 A (+70 °C) |
| Power Boost | I _{out} N × 150 % (min. 4 s) |
| Mains failure bridging time | min. 19 ms (400 V AC) |
| Ripple | max. 50 mVrms |
| Unit protection | short-circuit and overload protected |
| Spikes | max. 100 mV p-p |
| LED display | LED (green): OK; LED (red): overload |

Parallel usage/serial usage max. 5 units/max. 2 units

Commercial data

| | |
|------------------------|----------|
| country of origin | CZ |
| customs tariff number | 85044090 |
| minimum order quantity | 1 |