

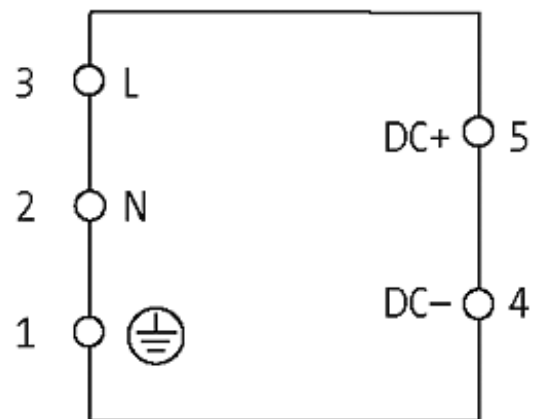
MCS POWER SUPPLY 1-PHASE,

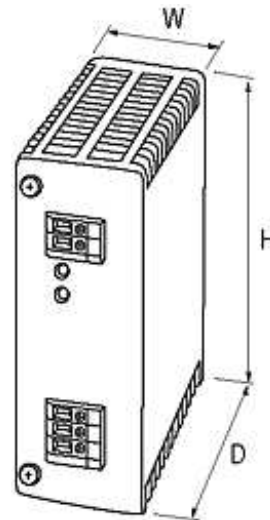
IN: 90-265VAC OUT: 4-6V/6ADC

INPUT: 100...240 V AC

OUTPUT: 5 V DC \pm 1%

Current: 6 A

[Link to Product](#)**Illustration**



Product may differ from Image

Approvals



Input

Input voltage	100...240 V AC
Input current	0.5 A (115 V AC); 0.3 A (230 V AC)
Inrush current after 1 ms	max. 22 A
Primary fusing external	max. 10 A
Frequency	50...60 Hz

General data

Standards	EN 60950-1, EN 61204-3, EN 55022 B, EN 61000-3-2
Relative humidity	5...95 %, no condensation
Efficiency	80 %
Mounting method	DIN-rail mountable TH35 (EN 60715)
Dimensions H x W x D	107.5x42x97.5 mm
Temperature range	0...+60 °C (storage temperature -25...+85 °C)

Output

Output voltage	5 V DC (SELV), ± 1 %, 4...6 V adjustable
Output current	6 A (+60 °C); 7.5 A (+50 °C)
Mains failure bridging time	min. 12 ms (115 V AC); min. 90 ms (230 V AC)
Ripple	max. 10 mVrms
Spikes	max. 50 mV p-p
Unit protection	short-circuit and overload protected
LED display	LED (green) for output voltage
Parallel usage/serial usage	no/yes (max. 2 units)

Commercial data

country of origin	CZ
customs tariff number	85044090
minimum order quantity	1