

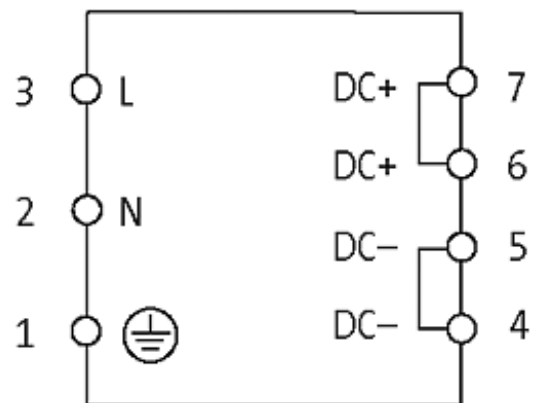
MCS POWER SUPPLY 1-PHASE,

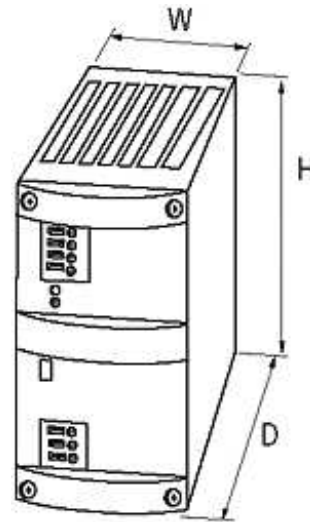
IN: 90-265VAC OUT: 24-28V/10ADC

INPUT: 90...265 V AC

OUTPUT: 24...28 V DC

Current: 10 A

[Link to Product](#)**Illustration**



Product may differ from Image

Approvals



Input

Input voltage	90...265 V AC; 90...250 V DC
Input current	2.7 A (100 V AC); 1.1 A (230 V AC)
Inrush current after 1 ms	max. 25 A
Primary fusing external	max. 10 A
Frequency	50...60 Hz

General data

Standards	EN 60950-1, EN 61204-3, EN 55022 B, EN 61000-3-2
Mounting method	DIN-rail mountable TH35 (EN 60715)
Efficiency	88 % (115 V AC); 90 % (230 V AC)
Relative humidity	5...95 %, no condensation
Dimensions H x W x D	127x68x204 mm
Temperature range	0...+60 °C (storage temperature -25...+85 °C)

Output

Output voltage	24 V DC (SELV), ± 1 %; 24...28 V adjustable
Output current	10 A (+60 °C, 90...265 V AC); 12 A (+40 °C, 110...265 V AC)
Mains failure bridging time	max. 13 A (230 V AC)
Ripple	max. 20 mVrms
Spikes	max. 200 mV p-p
Unit protection	short-circuit and overload protected
LED display	LED (green) for output voltage
Selectable switch-off mode	front sided plug link (automatic re-start or definite shut-off)

Parallel usage/serial usage max. 5 units/max. 2 units

Commercial data

country of origin	CZ
customs tariff number	85044090
minimum order quantity	1