

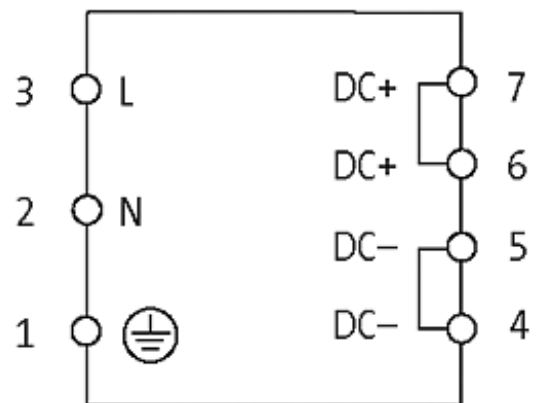
MCS POWER SUPPLY 1-PHASE,

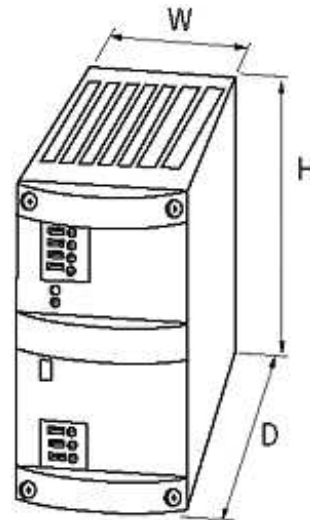
IN: 90-265VAC OUT: 24-28V/20ADC

INPUT: 90...265 V AC

OUTPUT: 24...28 V DC

Current: 20 A

[Link to Product](#)**Illustration**



Product may differ from Image

Approvals



Input

| | |
|---------------------------|-----------------------------------|
| Input voltage | 90...265 V AC; 110...300 V DC |
| Input current | 5.5 A (100 V AC)/2.4 A (230 V AC) |
| Inrush current after 1 ms | max. 30 A |
| Primary fusing external | max. 16 A |
| Frequency | 50...60 Hz |

General data

| | |
|----------------------|--|
| Standards | EN 60950-1, EN 61204-3, EN 55022 B, EN 61000-3-2 |
| Mounting method | Screw fixing M4, 4 pcs. in rectangle 60 × 197 mm |
| Efficiency | 87 % (230 V AC) |
| Relative humidity | 5...95 %, no condensation |
| Dimensions H × W × D | 209×84×233 mm |
| Temperature range | 0...+60 °C (storage temperature -25...+85 °C) |

Output

| | |
|-----------------------------|---|
| Output voltage | 24 V DC (SELV), ±1 %; 24...28 V adjustable |
| Output current | 20 A (+60 °C); 24 A (+40 °C, 110...265 V AC) |
| Mains failure bridging time | min. 18 ms (230 V AC) |
| Ripple | max. 20 mVrms |
| Spikes | max. 250 mV p-p |
| Unit protection | short-circuit and overload protected |
| LED display | LED (green) for output voltage |
| Selectable switch-off mode | front sided plug link (automatic re-start or definite shut-off) |

Parallel usage/serial usage max. 5 units/max. 2 units

Commercial data

| | |
|------------------------|----------|
| country of origin | CZ |
| customs tariff number | 85044090 |
| minimum order quantity | 1 |