

MPS POWER SUPPLY 3-PHASE,

IN: 360-550VAC OUT: 22-28V/10ADC

INPUT: 3 × 360...550 V AC

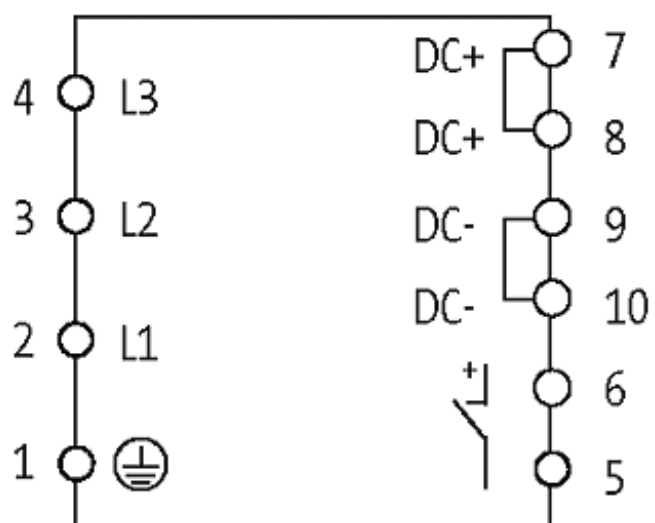
OUTPUT: 22...28 V DC

Current: 10 A

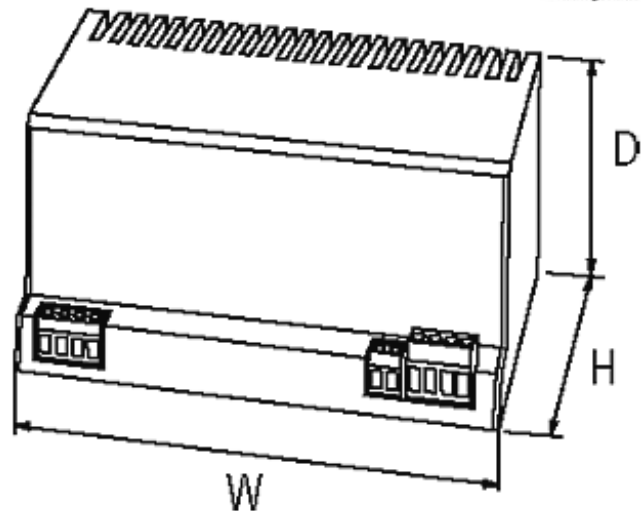
Units decoupling through diode block at parallel usage. Wide voltage input Protection IP20

[Link to Product](#)

Illustration



stay connected



Product may differ from Image

Approvals



Input

Input voltage	3 × 360...550 V AC
Primary fusing external	max. 10 A
Frequency	50...60 Hz
Input current	3 × 0.41 A

General data

Standards	EN 60950-1, EN 61204-3, EN 55022 B
Mounting method	DIN-rail mountable TH35 (EN 60715), additional plate for screw mounting Art.-No. 89500
Efficiency	90 %
Relative humidity	30...90 %, no condensation
Dimensions H × W × D	132×198×97 mm
Temperature range	0...+60 °C (storage temperature -25...+85 °C)

Output

Output voltage	24 V DC (SELV), ±1 %; 22...28 V adjustable
Output current	10 A (+60 °C); 12 A (+40 °C)
Mains failure bridging time	min. 3 ms (400 V AC)
Ripple	max. 20 mVrms
Spikes	max. 100 mV p-p
Unit protection	short-circuit and overload protected
Phase monitoring	Switching off during 2-phase operation
LED display	LED (green): in operation; LED (red): off; LED (yellow): pre-warning when overheated or overloaded

Parallel usage/serial usage yes/yes

Commercial data

country of origin CZ

customs tariff number 85044090

minimum order quantity 1