

MPS POWER SUPPLY 3-PHASE,

IN: 340-460VAC OUT: 22-28V/20ADC

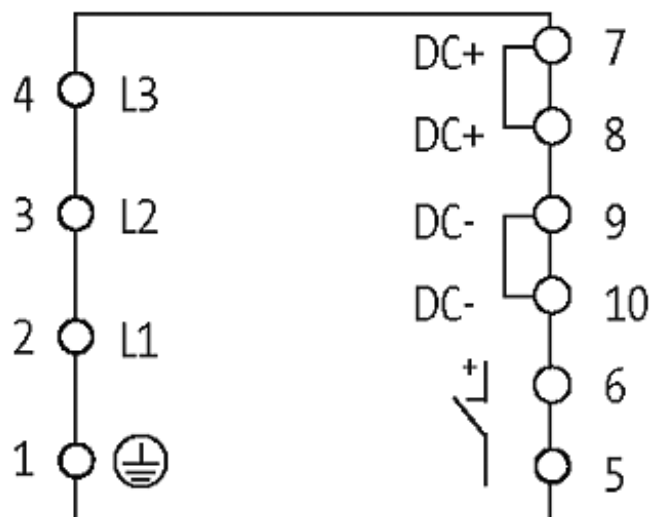
INPUT: 3 × 340...460 V AC

OUTPUT: 22...28 V DC

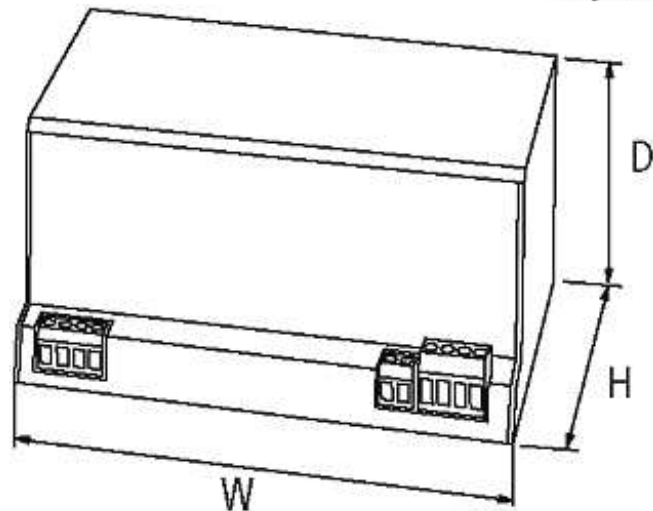
Current: 20 A

[Link to Product](#)

Illustration



stay connected



Product may differ from Image

Approvals



Input

| | |
|-------------------------|--------------------|
| Input voltage | 3 × 340...460 V AC |
| Primary fusing external | max. 10 A |
| Frequency | 50...60 Hz |
| Input current | 3 × 0.84 A |

General data

| | |
|----------------------|--|
| Standards | EN 60950-1, EN 61204-3, EN 55022 B |
| Mounting method | DIN-rail mountable TH35 (EN 60715), additional plate for screw mounting Art.-No. 89500 |
| Efficiency | 90 % |
| Relative humidity | 30...90 %, no condensation |
| Dimensions H × W × D | 132×243×123 mm |
| Temperature range | 0...+60 °C (storage temperature -25...+85 °C) |

Output

| | |
|-----------------------------|--|
| Output voltage | 24 V DC (SELV), ±1 %; 22...28 V adjustable |
| Output current | 20 A (+60 °C); 24 A (+40 °C) |
| Mains failure bridging time | min. 3 ms (400 V AC) |
| Ripple | max. 20 mVrms |
| Spikes | max. 100 mV p-p |
| Unit protection | short-circuit and overload protected |
| Phase monitoring | Switching off during 2-phase operation |
| LED display | LED (green): in operation; LED (red): off; LED (yellow): pre-warning when overheated or overloaded |

Parallel usage/serial usage yes/yes

Commercial data

country of origin CZ

customs tariff number 85044090

minimum order quantity 1