

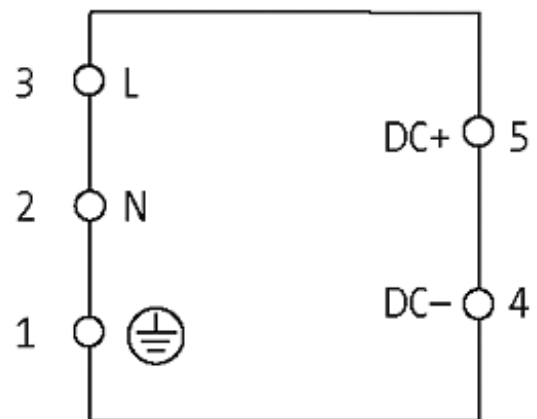
**MCS POWER SUPPLY 1-PHASE,**

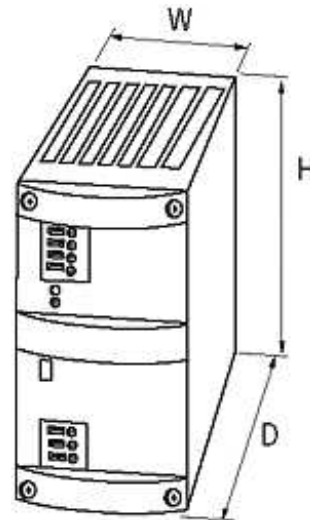
IN: 185-265VAC OUT: 24-28V/5ADC

INPUT: 185...265 V AC

OUTPUT: 24...28 V DC

Current: 5 A

[Link to Product](#)**Illustration**



Product may differ from Image

### Approvals



### Input

Input voltage	185...265 V AC
Input current	1.1 A (230 V AC)
Inrush current after 1 ms	max. 35 A
Primary fusing external	max. 10 A
Frequency	50...60 Hz

### General data

Standards	EN 60950-1, EN 61204-3, EN 55022 B
Mounting method	DIN-rail mountable TH35 (EN 60715)
Efficiency	84 %
Relative humidity	5...95 %, no condensation
Dimensions H x W x D	115x54x125 mm
Temperature range	0...+60 °C (storage temperature -25...+85 °C)

### Output

Output voltage	24 V DC (SELV), $\pm 1$ %; 24...28 V adjustable
Output current	5 A (+60 °C); 6 A (+40 °C)
Mains failure bridging time	min. 20 ms (230 V AC)
Ripple	max. 20 mVrms
Spikes	max. 80 mV p-p
Unit protection	short-circuit and overload protected
LED display	LED (green) for output voltage
Selectable switch-off mode	front sided plug link (automatic re-start or definite shut-off)

Parallel usage/serial usage                      yes/yes

**Commercial data**

country of origin                                      CZ

customs tariff number                              85044090

minimum order quantity                              1