

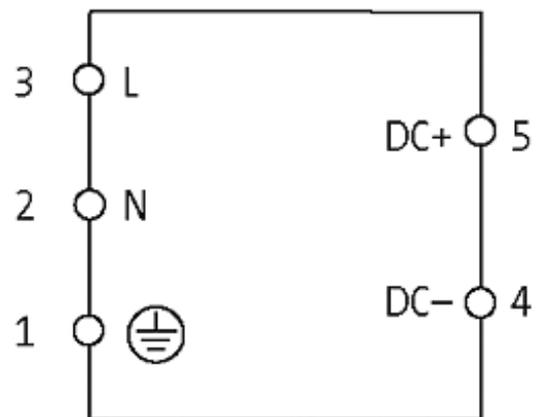
MCS POWER SUPPLY 1-PHASE,

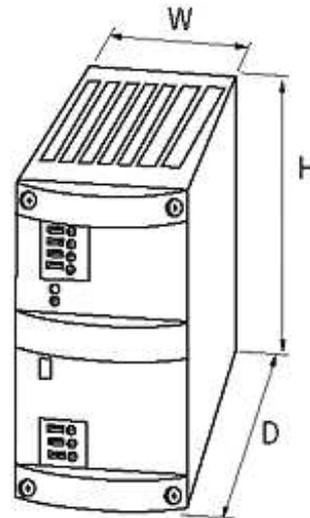
IN: 95-132VAC OUT: 24-28V/5ADC

INPUT: 95...132 V AC

OUTPUT: 24...28 V DC

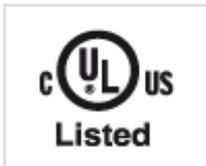
Current: 5 A

[Link to Product](#)**Illustration**



Product may differ from Image

Approvals



Input

Input voltage	95...132 V AC
Input current	2.2 A (115 V AC)
Inrush current after 1 ms	max. 15 A
Primary fusing external	max. 10 A
Frequency	50...60 Hz

General data

Standards	EN 60950-1, EN 61204-3, EN 55022 B
Mounting method	DIN-rail mountable TH35 (EN 60715)
Efficiency	84 %
Relative humidity	5...95 %, no condensation
Dimensions H x W x D	115x54x125 mm
Temperature range	0...+60 °C (storage temperature -25...+85 °C)

Output

Output voltage	24 V DC (SELV), ± 1 %; 24...28 V adjustable
Output current	5 A (+60 °C); 6 A (+40 °C)
Mains failure bridging time	min. 20 ms (115 V AC)
Ripple	max. 20 mVrms
Spikes	max. 80 mV p-p
Unit protection	short-circuit and overload protected
LED display	LED (green) for output voltage
Selectable switch-off mode	front sided plug link (automatic re-start or definite shut-off)

Parallel usage/serial usage yes/yes

Commercial data

country of origin CZ

customs tariff number 85044090

minimum order quantity 1