

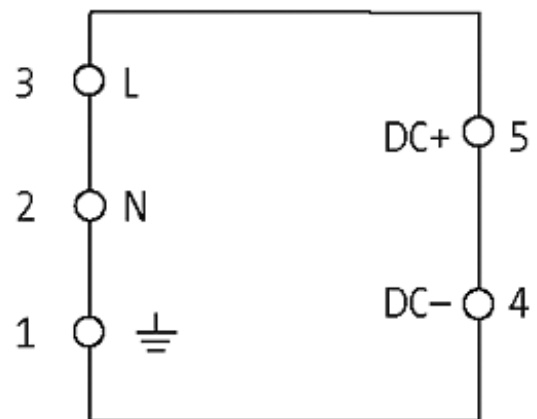
**MCS-B POWER SUPPLY 1-PHASE,**

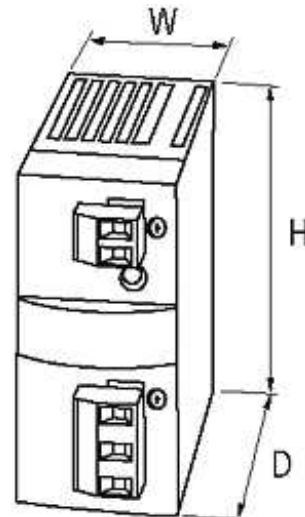
IN: 90-265VAC OUT: 24V/1,3ADC

INPUT: 90...265 V AC

OUTPUT: 24 V DC +3/-1%

Current: 1.3 A

[Link to Product](#)**Illustration**



Product may differ from Image

### Approvals



### Input

Input voltage	90...265 V AC; 110...300 V DC
Input current	0.65 A (100 V AC); 0.37 A (230 V AC)
Inrush current after 1 ms	max. 20 A
Primary fusing external	max. 10 A
Frequency	50...60 Hz

### General data

Standards	EN 60950-1, EN 61204-3, EN 55022 B, EN 61000-3-2
Relative humidity	5...95 %, no condensation
Efficiency	82 %
Dimensions H x W x D	76x38x87.5 mm
Mounting method	DIN-rail mountable TH35 (EN 60715)
Temperature range	-25...+40 °C, ...+50 °C derating (storage temperature -25...+85 °C)

### Output

Output voltage	24 V DC (SELV), $\pm 1$ %; 22...28 V adjustable
Output current	1.3 A (+60 °C, $U_{in}$ min. 170 V AC)
Mains failure bridging time	min. 15 ms (100 V AC); min. 100 ms (230 V AC)
Ripple	max. 50 mVrms
Spikes	max. 120 mV p-p
Unit protection	short-circuit and overload protected
LED display	LED (green) for output voltage
Parallel usage/serial usage	max. 5 units/max. 2 units

**Commercial data**

country of origin	CZ
customs tariff number	85044090
minimum order quantity	1