

MCS-B POWER SUPPLY 1-PHASE,

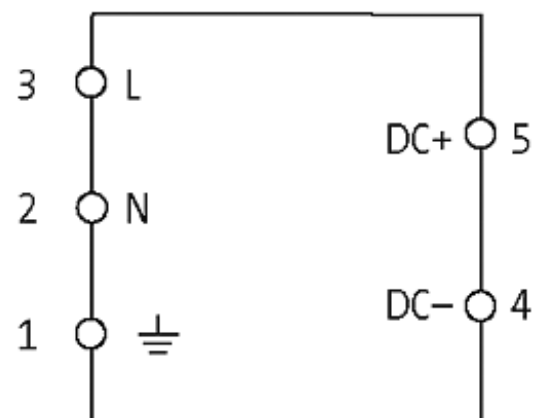
IN: 100-240VAC OUT: 24V/0,6ADC

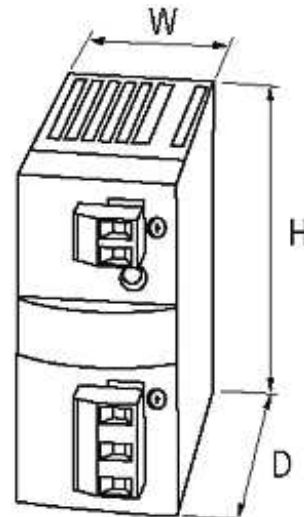
INPUT: 90...265 V AC

OUTPUT: 24 V DC +3/-1%

Current: 0.6 A

Varnished board

[Link to Product](#)**Illustration**



Product may differ from Image

Approvals



Input

Input voltage	90...265 V AC; 110...300 V DC
Input current	0.3 A (100 V AC); 0.2 A (230 V AC)
Inrush current after 1 ms	max. 20 A
Primary fusing external	max. 10 A
Frequency	50...60 Hz

General data

Standards	EN 60950-1, EN 61204-3, EN 55022 B, EN 61000-3-2
Relative humidity	5...95 %, no condensation
Efficiency	81 % (100 V AC); 83 % (230 V AC)
Dimensions H x W x D	76x38x87.5 mm
Mounting method	DIN-rail mountable TH35 (EN 60715)
Temperature range	-25...+40 °C, ...+50 °C derating (storage temperature -25...+85 °C)

Output

Output voltage	24 V DC (SELV), ± 1 %; 22...28 V adjustable
Output current	0.6 A (+50 °C); 0.5 A (+60 °C)
Mains failure bridging time	min. 25 ms (100 V AC); min. 150 ms (230 V AC)
Ripple	max. 50 mVrms
Spikes	max. 350 mV p-p
Unit protection	short-circuit and overload protected
LED display	LED (green) for output voltage
Parallel usage/serial usage	max. 5 units/max. 2 units

Commercial data

country of origin	CZ
customs tariff number	85044090
minimum order quantity	1