

## ECO-RAIL POWER SUPPLY 1-PHASE,

IN: 90-264VAC OUT: 24V/1,3ADC

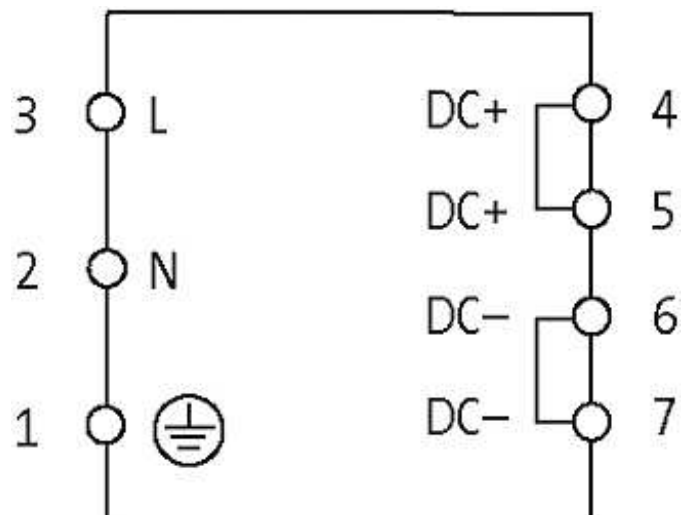
INPUT: 100...240 V AC

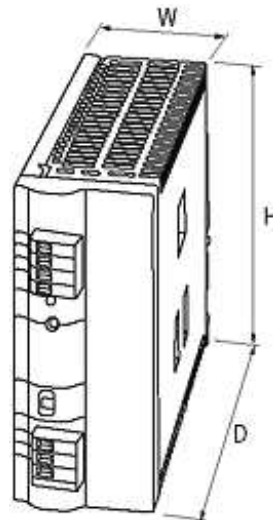
OUTPUT: 24 V DC  $\pm$  1%

Current: 1.3 A

### [Link to Product](#)

#### Illustration





Product may differ from Image

### Approvals



### Input

Input voltage	100...240 V AC
Input current	0.7 A (115 V AC); 0.4 A (230 V AC)
Inrush current after 1 ms	max. 20 A
Primary fusing external	max. 20 A
Frequency	50...60 Hz

### General data

Standards	EN 60950-1, EN 61204-3, EN 55022 B, EN 61000-3-2
Mounting method	DIN-rail mountable TH35 (EN 60715)
Efficiency	84 % (115 V AC); 84 % (230 V AC)
Relative humidity	20...90 %, no condensation
Dimensions H x W x D	125x50x70 mm
Temperature range	0...+40 °C, ...+50 °C derating (storage temperature -20...+85 °C)

### Output

Output voltage	24 V DC $\pm 1$ %
Output current	1.3 A (+40 °C); 1.0 A (+55 °C)
Mains failure bridging time	min. 25 ms (115 V AC); min. 130 ms (230 V AC)
Ripple	max. 20 mVrms
Unit protection	short-circuit and overload protected
Spikes	max. 100 mV p-p
LED display	LED (green) for output voltage
Parallel usage/serial usage	no/yes (max. 2 units)

**Commercial data**

country of origin	CN
customs tariff number	85044090
minimum order quantity	1