

ECO-RAIL POWER SUPPLY 1-PHASE,

IN: 90-132 VAC/173-264 VAC OUT: 24V/10ADC

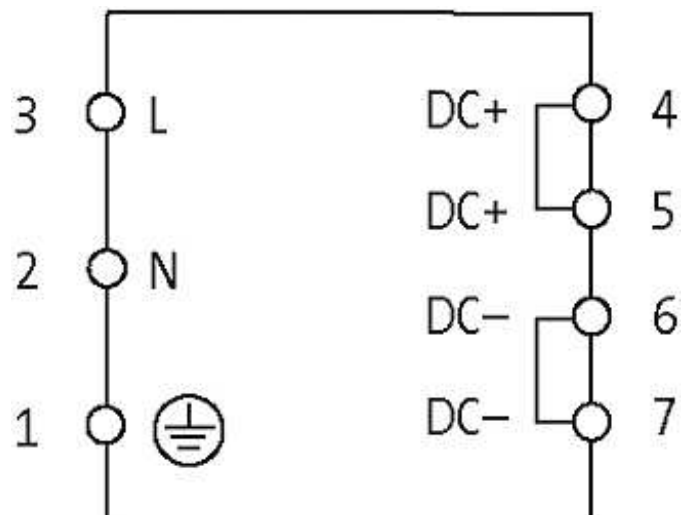
INPUT: 90...132 V AC/173...264 V AC

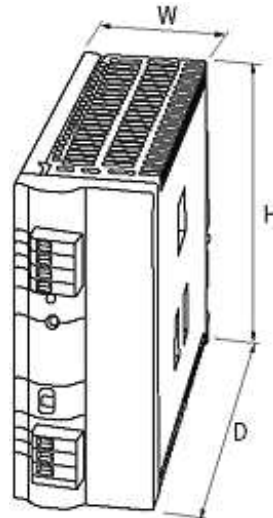
OUTPUT: 24 V DC

Current: 10 A

[Link to Product](#)

Illustration





Product may differ from Image

Approvals



Input

| | |
|---------------------------|----------------------------------|
| Input voltage | 90...132 V AC/173...264 V AC |
| Input current | 4 A (115 V AC); 2.4 A (230 V AC) |
| Inrush current after 1 ms | max. 20 A |
| Primary fusing external | max. 20 A |
| Frequency | 50...60 Hz |

General data

| | |
|----------------------|---|
| Standards | EN 60950-1, EN 61204-3, EN 55022 B |
| Mounting method | DIN-rail mountable TH35 (EN 60715) |
| Efficiency | 87 % (115 V AC); 88 % (230 V AC) |
| Relative humidity | 20...90 %, no condensation |
| Dimensions H x W x D | 125x72x125 mm |
| Temperature range | 0...+40 °C, ...+50 °C derating (storage temperature -20...+85 °C) |

Output

| | |
|-----------------------------|--|
| Output voltage | 24 V DC ± 1 % |
| Output current | 10 A (+40 °C); 7.5 A (+55 °C) |
| Mains failure bridging time | min. 20 ms (115 V AC); min. 20 ms (230 V AC) |
| Ripple | max. 20 mVrms |
| Unit protection | short-circuit and overload protected |
| Spikes | max. 150 mV p-p |
| LED display | LED (green) for output voltage |
| Parallel usage/serial usage | no/yes (max. 2 units) |

Commercial data

| | |
|------------------------|----------|
| country of origin | CN |
| customs tariff number | 85044090 |
| minimum order quantity | 1 |