

MEN POWER SUPPLY 1/2-PHASE, SMOOTHED

IN: 230/400+/-15VAC OUT: :24V/10ADC

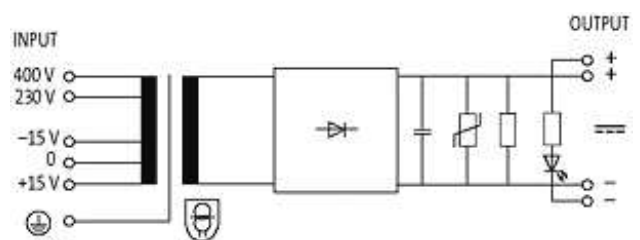
Current: 10 A

Output rating: 240 W

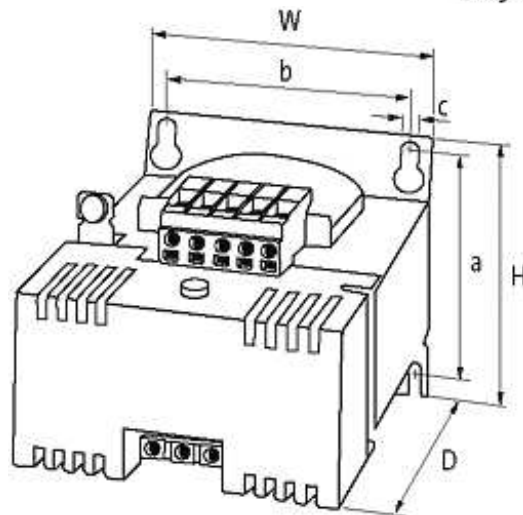
This power supply units meet the (EN 61000-3-2) standard for harmonic current.

[Link to Product](#)

Illustration



stay connected



Product may differ from Image

Approvals



Input

Input voltage	230/400 ±15 V AC
Input current	1.7 A (230 V AC); 0.97 A (400 V AC)
Input fuse (external)	3.15 AT (230 V AC); 1.6 AT (400 V AC)
Frequency	50...60 Hz

General data

Standards	EN 61558-2-6, EN 62041 category I, EN 55011 B, EN 61000-3-2
Mounting method	Key-hole mounting
Dimensions H × W × D	112.5×120×160 mm
Fixing centers a × b × c	94.5×90×5.8 mm
Temperature range	-20...+60 °C, no condensation

Output

Output voltage	24 V DC (SELV)
Output current (Ta 60/40 °C)	max. 10 A (230 V AC); 12 A (400 V AC)
Ripple	max. 5 %rms
Output fuse	20 A (automotive fuse FKS)
Output filter	LED, VDR and smoothing capacitor

Commercial data

country of origin	CZ
customs tariff number	85044090
minimum order quantity	1