

MEN POWER SUPPLY 1/2-PHASE, SMOOTHED

IN: 230/400+/-15VAC OUT: :24V/15ADC

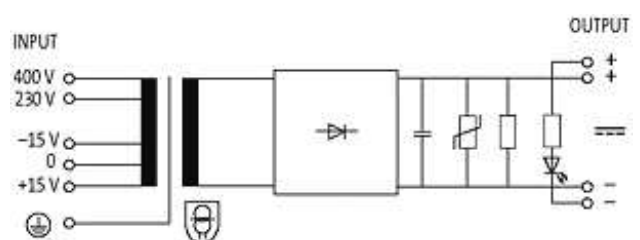
Current: 15 A

Output rating: 360 W

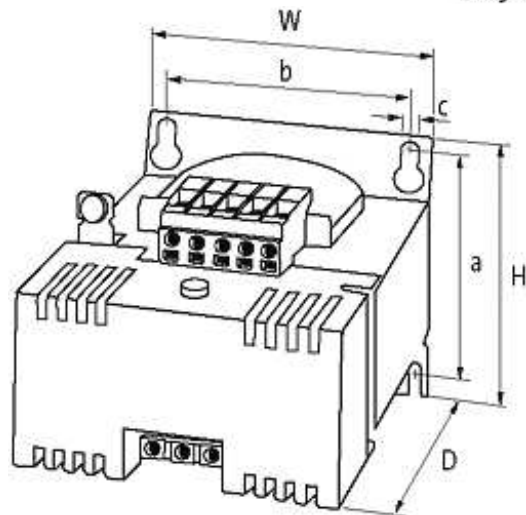
This power supply units meet the (EN 61000-3-2) standard for harmonic current.

[Link to Product](#)

Illustration

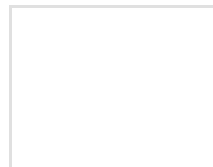
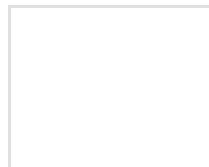


stay connected



Product may differ from Image

Approvals



Input

Input voltage	230/400 ±15 V AC
Input voltage	230/400 ±15 V AC
Input current	2.8 A (230 V AC); 1.65 A (400 V AC)
Input current	2.8 A (230 V AC); 1.65 A (400 V AC)
Input fuse (external)	4 AT (230 V AC); 2.5 AT (400 V AC)
Input fuse (external)	4 AT (230 V AC); 2.5 AT (400 V AC)
Frequency	50...60 Hz
Frequency	50...60 Hz

General data

Standards	EN 61558-2-6, EN 62041 category I, EN 55011 B, EN 61000-3-2
Standards	EN 61558-2-6, EN 62041 category I, EN 55011 B, EN 61000-3-2
Mounting method	Key-hole mounting
Mounting method	Key-hole mounting
Dimensions H × W × D	138.5×135×181.5 mm
Dimensions H × W × D	138.5×135×181.5 mm
Fixing centers a × b × c	126×104×6.5 mm
Fixing centers a × b × c	126×104×6.5 mm
Temperature range	-20...+60 °C, no condensation
Temperature range	-20...+60 °C, no condensation

Output

Output voltage	24 V DC (SELV)
Output voltage	24 V DC (SELV)

The information in this brochure has been compiled with the utmost care.

Liability for the correctness completeness and topicality of the information is restricted to gross negligence. Version: 05/16

Output current (Ta 60/40 °C)	max. 15 A (230 V AC); 18 A (400 V AC)
Output current (Ta 60/40 °C)	max. 15 A (230 V AC); 18 A (400 V AC)
Ripple	max. 5 %rms
Ripple	max. 5 %rms
Output filter	LED, VDR and smoothing capacitor
Output filter	LED, VDR and smoothing capacitor

Commercial data

country of origin	CZ
country of origin	CZ
customs tariff number	85044090
customs tariff number	85044090
minimum order quantity	1
minimum order quantity	1