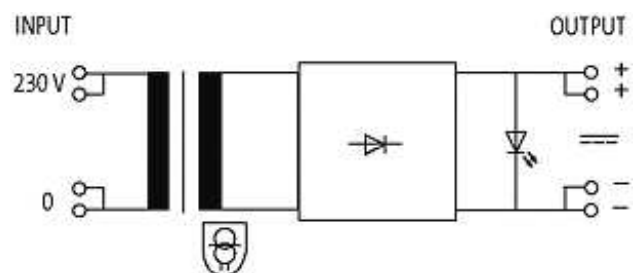


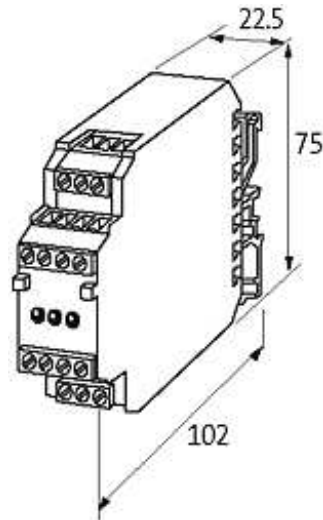
MKN POWER SUPPLY 1-PHASE, LINEAR REGULATED

IN: 230VAC OUT: 24V/0,07ADC

INPUT: 230 V AC
OUTPUT: 24 V DC
Current: 70 mA

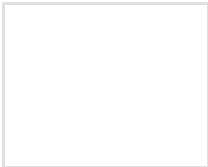
This power supply units meet the (EN 61000-3-2) standard for harmonic current.

[Link to Product](#)**Illustration**



Product may differ from Image

Approvals



Input

| | |
|-----------------------|----------------|
| Input voltage | 207...253 V AC |
| Input current | approx. 10 mA |
| Input fuse (external) | 63 mA (T) |
| Frequency | 50...60 Hz |

General data

| | |
|-------------------|--|
| Standards | EN 61558-2-6, EN 62041 category II, EN 55011 B, EN 61000-3-2 |
| Mounting method | DIN-rail mountable TH35 or G32 (EN 60715) |
| Temperature range | 0...+60 °C, no condensation |

Output

| | |
|-----------------|--------------------------------------|
| Output current | max. 70 mA |
| Ripple | max. 10 mV p-p |
| Output filter | VDR and smoothing capacitor |
| Unit protection | short-circuit and overload protected |
| LED display | LED (green): in operation |

Commercial data

| | |
|------------------------|----------|
| country of origin | CZ |
| customs tariff number | 85044090 |
| minimum order quantity | 1 |