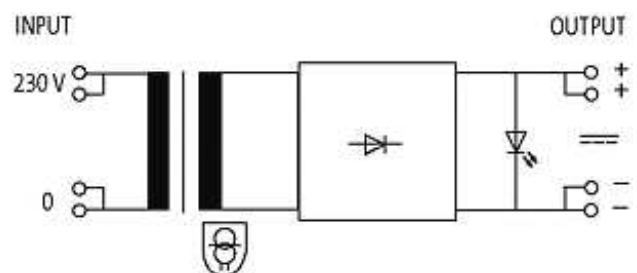


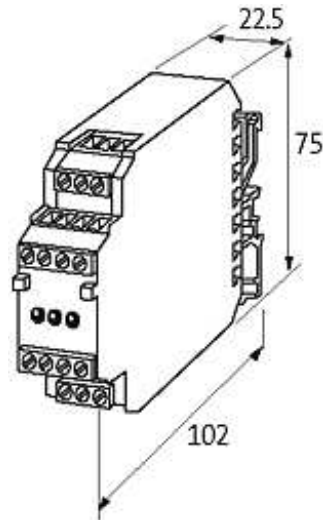
**MKN POWER SUPPLY 1-PHASE, LINEAR REGULATED**

IN: 230VAC OUT: 5V/0,2ADC

INPUT: 230 V AC  
OUTPUT: 5 V DC  
Current: 200 mA

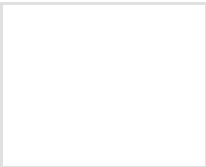
This power supply units meet the (EN 61000-3-2) standard for harmonic current.

[Link to Product](#)**Illustration**



Product may differ from Image

### Approvals



### Input

Input voltage	207...253 V AC
Input current	approx. 20 mA
Input fuse (external)	63 mA (T)
Frequency	50...60 Hz

### General data

Standards	EN 61558-2-6, EN 62041 category II, EN 55011 B, EN 61000-3-2
Mounting method	DIN-rail mountable TH35 or G32 (EN 60715)
Temperature range	0...+60 °C, no condensation

### Output

Output current	max. 200 mA
Ripple	max. 10 mV p-p
Output filter	VDR and smoothing capacitor
Unit protection	short-circuit and overload protected
LED display	LED (green): in operation

### Commercial data

country of origin	CZ
customs tariff number	85044090
minimum order quantity	1