

NLS POWER SUPPLY 1/2-PHASE, LINEAR REGULATED

IN: 230/400VAC OUT: 24V/4ADC

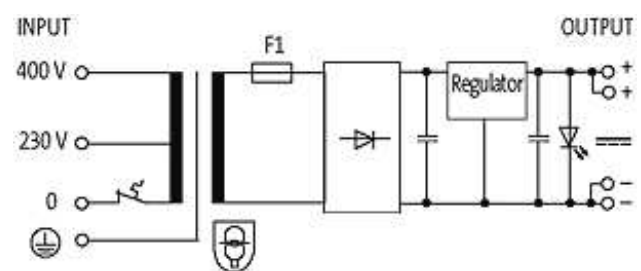
Current: 4 A

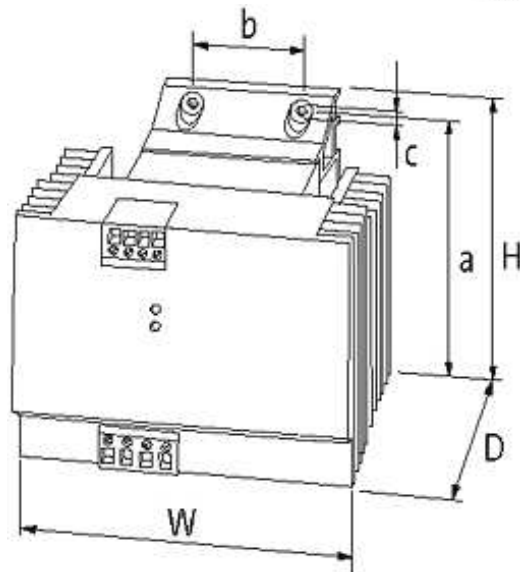
Output rating: 96 W

This power supply units meet the (EN 61000-3-2) standard for harmonic current.

[Link to Product](#)

Illustration





Product may differ from Image

Approvals



Input

Input voltage	230/400 V AC
Input current	0.85 A (230 V AC); 0.49 A (400 V AC)
Input fuse (external)	1.6 AT (230 V AC); 1.0 AT (400 V AC)
Frequency	50...60 Hz
Safety	Thermal switch input side

General data

Standards	EN 61558-2-6, EN 62041 category II, EN 55011 B, EN 61000-3-2
Mounting method	DIN-rail mountable TH35 (EN 60715); key-hole mounting/screwable
Efficiency	63 %
Dimensions H × W × D	110×172×161 mm
Fixing centers a × b × c	98×80×4.5 mm
Temperature range	0...+60 °C, no condensation

Output

Output voltage	24 V DC (SELV), ±2 %
Output current	4 A (max. 12 A short-term)
Ripple	max. 10 mV
Unit protection	short-circuit and overload protected
Output fuse	10 A (T) (5 × 20 internal)
LED display	LED (green): in operation; LED (red): failure

Commercial data

country of origin	CZ
customs tariff number	85044090
minimum order quantity	1