

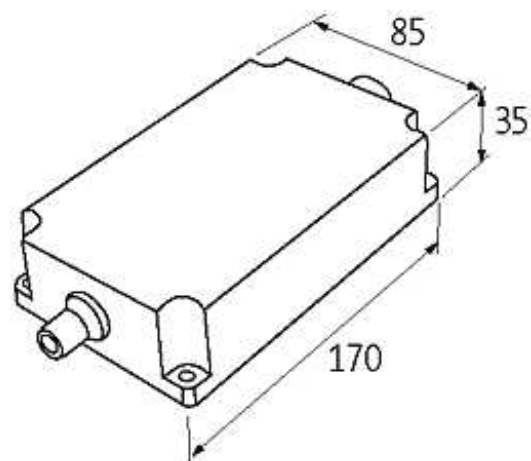
EVOLUTION67 POWER SUPPLY 1-PHASE,

IN: 90...264VAC OUT: 24V/3,8A

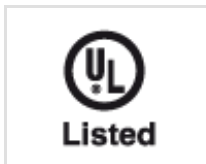
OUTPUT: 24 V DC \pm 2%

INPUT: 90...264 V AC (7/8")

Current: 3.8 A

[Link to Product](#)**Illustration**

Product may differ from Image

Approvals

Input	
Input voltage	90...264 V AC
Input current	2 A (115 V AC); 1 A (240 V AC)
Primary fusing external	max. 10 A (C)
Frequency	50...60 Hz
General data	
Standards	(IEC/UL/EN 60950-1 NEC Class II), (EN 61204-3), (EN 55011 A), (EN 61000-3-2)
Relative humidity	5...95 %, no condensation
Protection	IP67 inserted and tightened (EN 60529)
Efficiency	90 %
Connection	IN: 7/8", 3-pole; OUT: 7/8", 4-pole
Mounting method	screw fixing, M5
Dimensions H × W × D	85×170×35 mm
Temperature range	-25...+70 °C (storage temperature -40...+85 °C)
Output	
Output voltage	24 V DC (SELV), ±2 %
Output current	3.8 A (+50 °C); 2.3 A (+70 °C)
Mains failure bridging time	min. 50 ms (230 V AC); 3.8 A (24 V DC)
Ripple	max. 240 mVrms
Spikes	max. 240 mV p-p
Unit protection	short-circuit and overload protected
LED display	LED (green): OK
Commercial data	
country of origin	DE
customs tariff number	85044090
minimum order quantity	1