

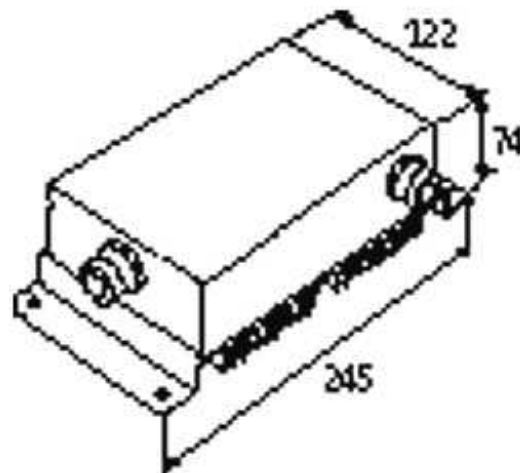
**EVOLUTION67 POWER SUPPLY 1-PHASE,**

IN: 90...264VAC OUT: 24V/8A

OUTPUT: 24 V DC  $\pm$  2%

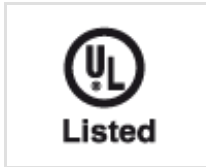
INPUT: 90...264 V AC (7/8")

Current: 8 A

[Link to Product](#)**Illustration**

Product may differ from Image

**Approvals**



### Input

Input voltage	90...264 V AC
Input current	2.4 A (115 V AC); 1.2 A (230 V AC)
Primary fusing external	max. 10 A (C)
Frequency	50...60 Hz

### General data

Standards	(IEC/UL/EN 60950-1 NEC Class II), (EN 61204-3), (EN 55011 A), (EN 61000-3-2)
Relative humidity	5...95 %, no condensation
Protection	IP67 inserted and tightened (EN 60529)
Efficiency	89 %
Connection	IN: 7/8", 3-pole; OUT: 7/8", 4-pole
Mounting method	screw fixing, M5
Temperature range	-25...+60 °C (storage temperature -40...+85 °C)

### Output

Output voltage	24 V DC (SELV), $\pm 2$ %
Power Boost	I <sub>out</sub> N $\times$ 150 % (min. 4 s)
Output current	8 A (+60 °C); 6.4 A (+70 °C)
Mains failure bridging time	min. 50 ms (230 V AC); 8 A (24 V DC)
Ripple	max. 240 mVrms
Spikes	max. 240 mV p-p
Unit protection	short-circuit and overload protected
LED display	LED (green): OK

### Commercial data

country of origin	DE
customs tariff number	85044090
minimum order quantity	1