

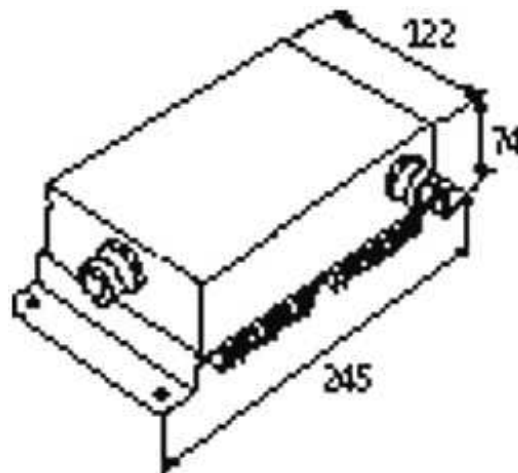
EVOLUTION67 POWER SUPPLY 1-PHASE,

IN: 90...264 V OUT: 24V/2x3,8A

OUTPUT: 24 V DC

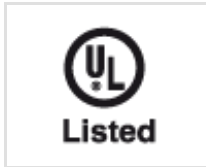
INPUT: 90...264 V AC (7/8")

Current: 2 × 3.8 A galvanically separated

[Link to Product](#)**Illustration**

Product may differ from Image

Approvals



Input

Input voltage	90...264 V AC
Input current	2 A (115 V AC); 1 A (230 V AC)
Primary fusing external	max. 10 A (C)
Frequency	50...60 Hz

General data

Standards	EN 60950-1, EN 61204-3, EN 55011 A, EN 61000-3-2, UL 1310 class 2
Relative humidity	5...95 %, no condensation
Protection	IP67 inserted and tightened (EN 60529)
Efficiency	89 %
Connection	IN: 7/8", 3-pole; OUT: 2 x 7/8", 4-pole
Mounting method	screw fixing, M5
Temperature range	-25...+70 °C (storage temperature -40...+85 °C)

Output

Output voltage	24 V DC (SELV), ± 2 %
Output current	2 x 3.8 A (+50 °C); 2 x 2.3 A (+70 °C)
Mains failure bridging time	min. 50 ms (230 V AC); 3.8 A (24 V DC)
Ripple	max. 240 mVrms
Spikes	max. 240 mV p-p
Unit protection	short-circuit and overload protected
LED display	LED (green): OK

Commercial data

minimum order quantity	1
------------------------	---