

MPL POWER SUPPLY 3-PHASE, SMOOTHED

IN: 400VAC+/- 5% OUT: 24V/25ADC

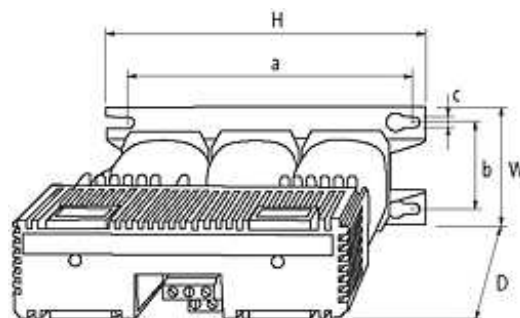
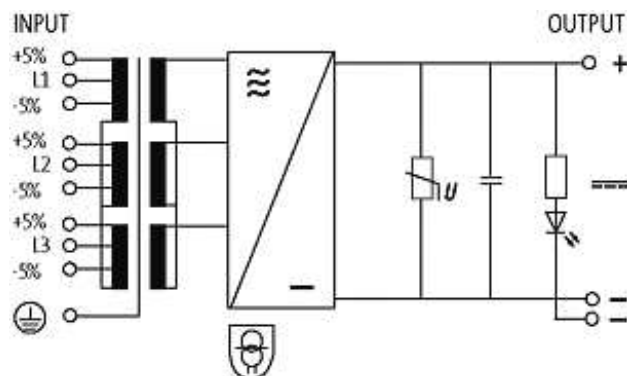
Current: 25 A

Output rating: 600 W

This power supply units meet the (EN 61000-3-2) standard for harmonic current.

[Link to Product](#)

Illustration



Product may differ from image

Product may differ from image

Approvals



Input

| | |
|-----------------------|-----------------------|
| Input voltage | 3 × 400 V AC ±5 % |
| Input current | 1.35 A (3 × 400 V AC) |
| Input fuse (external) | 1.6 A (T) |
| Frequency | 50...60 Hz |

General data

| | |
|--------------------------|---|
| Standards | EN 61558-2-6, EN 62041 category I, EN 55011 B, EN 61000-3-2 |
| Efficiency | 78 % |
| Mounting method | Key-hole mounting |
| Fixing centers a × b × c | 195×81×8.5 mm |
| Dimensions H × W × D | 220×103×213 mm |
| Temperature range | -20...+55 °C, for any mounting position at vertical wall, no condensation |

Output

| | |
|----------------------|----------------------------------|
| Output voltage | 24 V DC (SELV) |
| Output current | max. 25 A |
| Ripple | max. 2 %rms |
| Output fuse external | 25 A T |
| Output filter | LED, VDR and smoothing capacitor |

Commercial data

| | |
|------------------------|----------|
| country of origin | CZ |
| customs tariff number | 85044090 |
| minimum order quantity | 1 |