

MPL POWER SUPPLY 3-PHASE, SMOOTHED

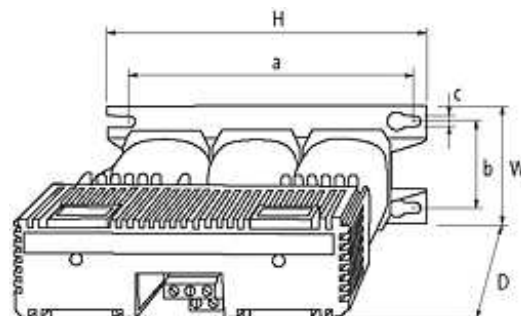
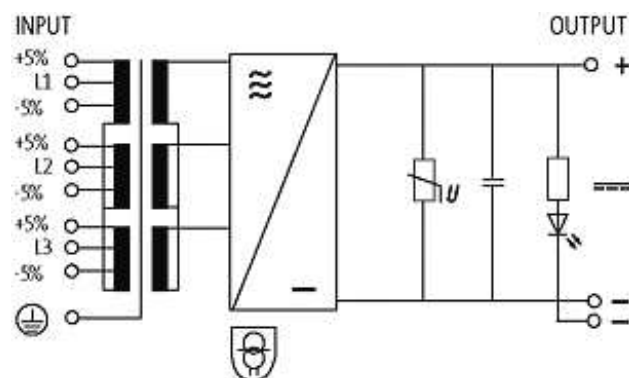
IN: 400VAC+/- 5% OUT: 24V/50ADC

Current: 50 A

Output rating: 1200 W

[Link to Product](#)

Illustration



Product may differ from Image

Approvals

The information in this brochure has been compiled with the utmost care.

Liability for the correctness completeness and topicality of the information is restricted to gross negligence. Version: 05/16

Murrelektronik GmbH | Falkenstraße 3, 71570 Oppenweiler | Fon +49 (71 91) 47-0, Fax +49 (71 91) 47-491000 | shop@murrelektronik.com | shop.murrelektronik.com



Input

Input voltage	3 × 400 V AC ±5 %
Input current	2.5 A (3 × 400 V AC)
Input fuse (external)	4 A (T)
Frequency	50...60 Hz

General data

Standards	EN 61558-2-6, EN 62041 category I, EN 55011 B, EN 61000-3-2
Temperature range	-20...+55 °C, for any mounting position at vertical wall, no condensation
Mounting method	Key-hole mounting
Efficiency	79 %
Dimensions H × W × D	280×134×313 mm
Fixing centers a × b × c	256.5×108×11 mm

Output

Output voltage	24 V DC (SELV)
Output current	max. 50 A
Ripple	max. 2 %rms
Output fuse external	50 A (T)
Output filter	LED, VDR and smoothing capacitor

Commercial data

country of origin	CZ
customs tariff number	85044090
minimum order quantity	1