

MPL POWER SUPPLY 3-PHASE, SMOOTHED

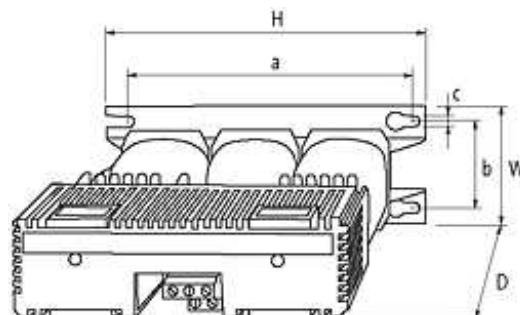
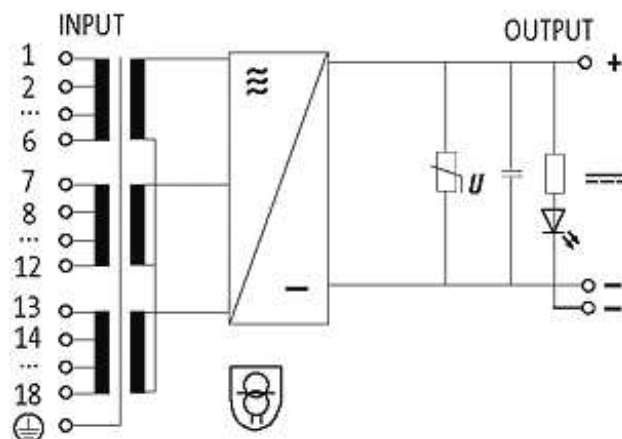
IN: 208-520VAC+/- 5% OUT: 24V/50ADC

Current: 50 A

Output rating: 1200 W

[Link to Product](#)

Illustration



Product may differ from image

Product may differ from image

Approvals



Input

Input voltage	3 × 208...520 V AC
Frequency	50...60 Hz

General data

Standards	EN 61558-2-6, EN 62041 category I, EN 55011 B, EN 61000-3-2
Temperature range	-20...+55 °C, for any mounting position at vertical wall, no condensation
Mounting method	Key-hole mounting
Efficiency	77 %
Dimensions H × W × D	280×134×313 mm
Fixing centers a × b × c	256.5×108×11 mm

Output

Output voltage	24 V DC (SELV)
Output current	max. 50 A
Ripple	max. 2 %rms
Output fuse external	50 A (T)
Output filter	LED, VDR and smoothing capacitor

Commercial data

country of origin	CZ
customs tariff number	85044090
minimum order quantity	1