

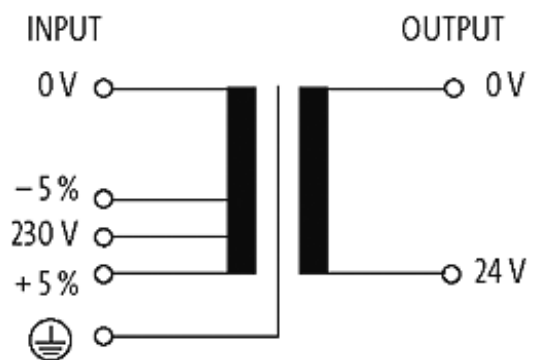
MET 1-PHASE SAFETY TRANSFORMER

P: 500VA IN: 230VAC+/- 5% OUT: 24VAC

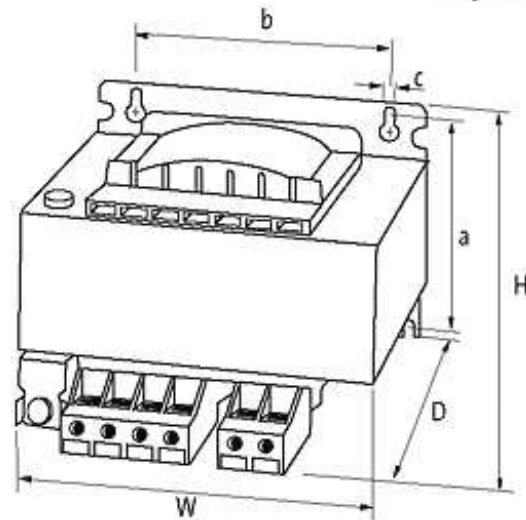
Single-phase safety transformer
500 VA
Isolation class T 60/B

[Link to Product](#)

Illustration



stay connected



Product may differ from Image

Approvals



Input

| | |
|-----------------------|--------------------|
| Input current | 2.3 A (230 V AC) |
| Inrush current | 35.45 A (230 V AC) |
| Short-circuit current | 74.76 A (230 V AC) |
| Input voltage | 230 V AC $\pm 5\%$ |
| Frequency | 50...60 Hz |

General data

| | |
|--------------------------|-----------------------------------------------|
| Test isolation voltage | 4 kV (prim./sec.) |
| Standards | EN 61558-1, EN 61558-2-6, EN 62041 category 0 |
| Mounting method | Key-hole mounting |
| Fixing centers a × b × c | 90×122×7 mm |
| Drill hole \varnothing | 7×11 mm |
| Dimensions H × W × D | 112.6×150×146 mm |
| Temperature range | -20...+60 °C, no condensation |

Output

| | |
|----------------|----------------|
| Output voltage | 24 V AC (SELV) |
|----------------|----------------|

Commercial data

| | |
|------------------------|----------|
| country of origin | CZ |
| customs tariff number | 85043180 |
| minimum order quantity | 1 |