

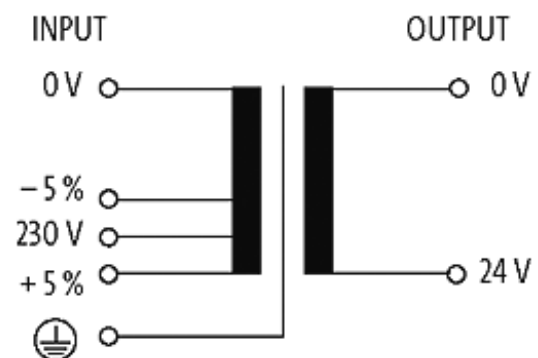
MET 1-PHASE SAFETY TRANSFORMER

P: 630VA IN: 230VAC+/- 5% OUT: 24VAC

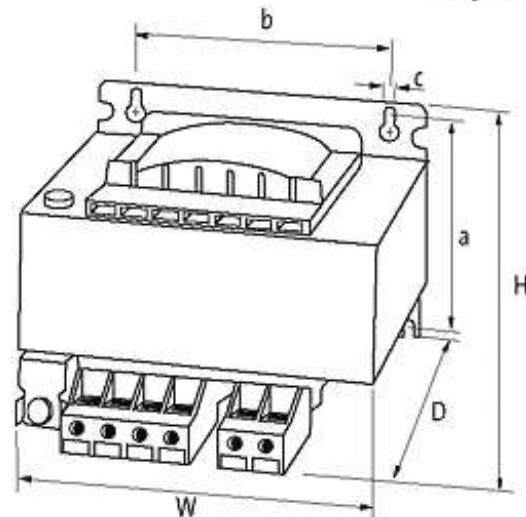
Single-phase safety transformer
630 VA
Isolation class T 60/B

[Link to Product](#)

Illustration

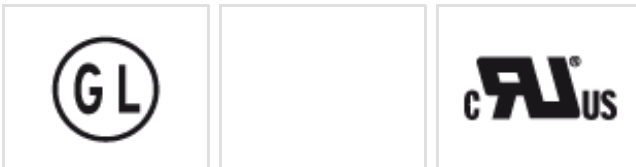


stay connected



Product may differ from Image

Approvals



Input

Input voltage	230 V AC $\pm 5\%$
Input current	2.98 A (230 V AC)
Inrush current	75.6 A (230 V AC)
Short-circuit current	82.3 A (230 V AC)
Frequency	50...60 Hz

General data

Test isolation voltage	4 kV (prim./sec.)
Standards	EN 61558-1, EN 61558-2-6, EN 62041 category 0
Mounting method	Key-hole mounting
Fixing centers a \times b \times c	107.5 \times 122 \times 7 mm
Drill hole \varnothing	7 \times 11 mm
Dimensions H \times W \times D	129 \times 150 \times 148 mm
Temperature range	-20...+60 °C, no condensation

Output

Output voltage	24 V AC (SELV)
----------------	----------------

Commercial data

country of origin	CZ
customs tariff number	85043180
minimum order quantity	1