

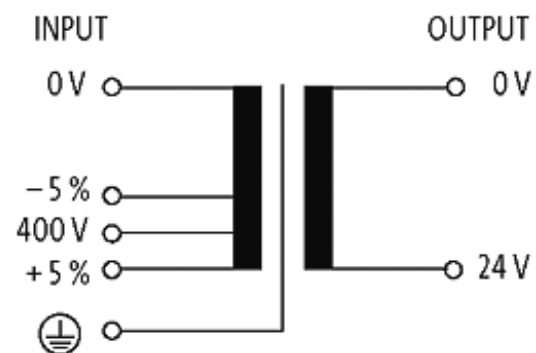
MET 1-PHASE SAFETY TRANSFORMER

P: 630VA IN: 400VAC+/- 5% OUT: 24VAC

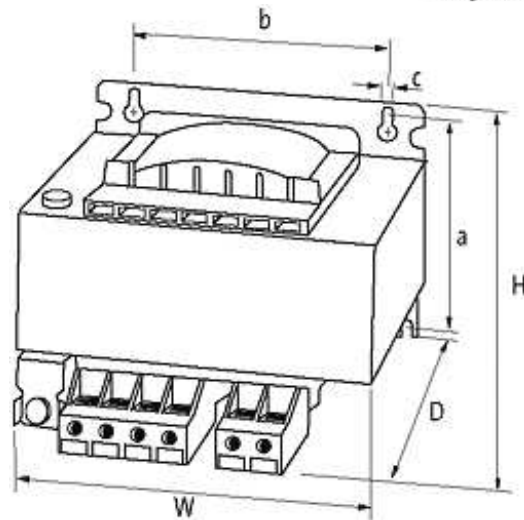
Single-phase safety transformer
630 VA
Isolation class T 60/B

[Link to Product](#)

Illustration



stay connected



Product may differ from Image

Approvals



Input

Input voltage	400 V AC $\pm 5\%$
Frequency	50...60 Hz
Input current	1.71 A (400 V AC)
Inrush current	43.4 A (400 V AC)
Short-circuit current	47.7 A (400 V AC)

General data

Standards	EN 61558-1, EN 61558-2-6, EN 62041 category 0
Test isolation voltage	4 kV (prim./sec.)
Mounting method	Key-hole mounting
Temperature range	-20...+60 °C, no condensation
Fixing centers a × b × c	107.5×122×7 mm
Dimensions H × W × D	129×150×148 mm
Drill hole Ø	7×11 mm

Output

Output voltage	24 V AC (SELV)
----------------	----------------

Commercial data

country of origin	CZ
customs tariff number	85043180
minimum order quantity	1