

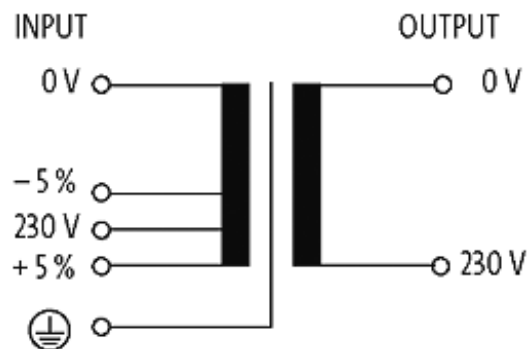
MET 1-PHASE CONTROL AND ISOLATION TRANSFORMER

P: 800VA IN: 230VAC+/- 5% OUT: 230VAC

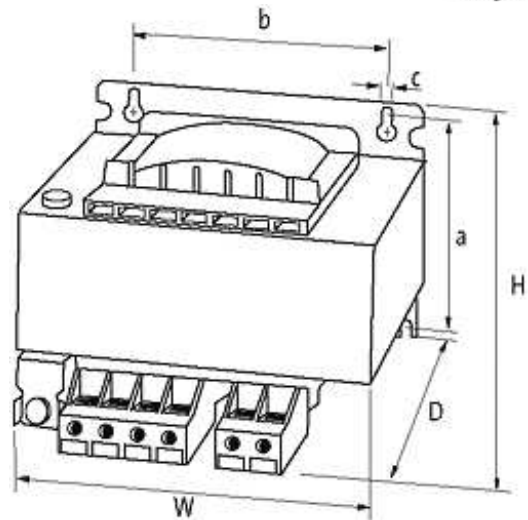
Single-phase - Control and Isolation Transformers
800 VA
Isolation class T 60/B

[Link to Product](#)

Illustration



stay connected



Product may differ from Image

Approvals



Input

Input voltage	230 V AC $\pm 5\%$
Frequency	50...60 Hz
Short-circuit current	143.2 A (230 V AC)
Input current	3.75 A (230 V AC)
Inrush current	51.78 A (230 V AC)

General data

Standards	EN 61558-1, EN 61558-2-4, EN 62041 category 0
Test isolation voltage	4 kV (prim./sec.)
Mounting method	Key-hole mounting
Dimensions H x W x D	118x175x160 mm
Fixing centers a x b x c	92x135x7 mm
Drill hole \emptyset	7x11 mm
Temperature range	-20...+60 °C, no condensation

Output

Output voltage	230 V AC
----------------	----------

Commercial data

country of origin	CZ
customs tariff number	85043180
minimum order quantity	1