

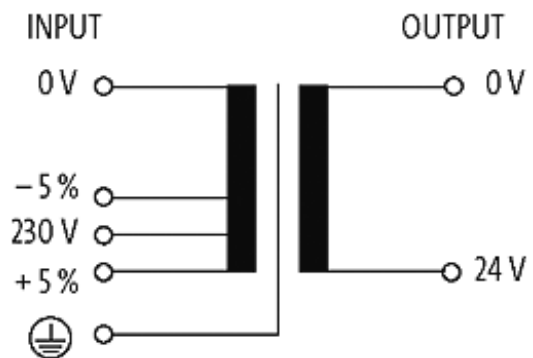
MET 1-PHASE SAFETY TRANSFORMER

P: 800VA IN: 230VAC+/- 5% OUT: 24VAC

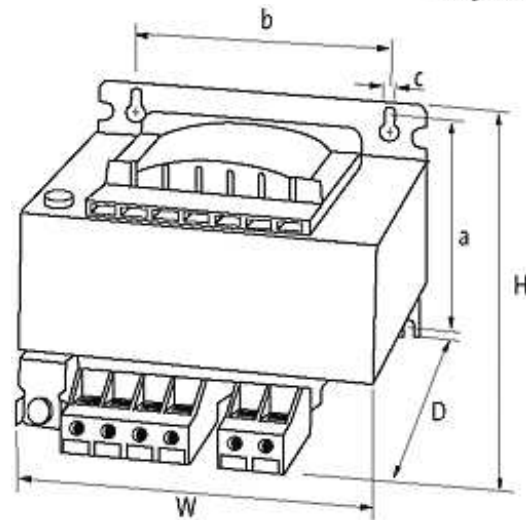
Single-phase safety transformer
800 VA
Isolation class T 60/B

[Link to Product](#)

Illustration



stay connected



Product may differ from Image

Approvals



Input

Input voltage	230 V AC $\pm 5\%$
Input current	3.75 A (230 V AC)
Inrush current	92.8 A (230 V AC)
Short-circuit current	87.8 A (230 V AC)
Frequency	50...60 Hz

General data

Test isolation voltage	4 kV (prim./sec.)
Standards	EN 61558-1, EN 61558-2-6, EN 62041 category 0
Mounting method	Key-hole mounting
Fixing centers a × b × c	92×135×7 mm
Drill hole Ø	7×11 mm
Dimensions H × W × D	117×174×160 mm
Temperature range	-20...+60 °C, no condensation

Output

Output voltage	24 V AC (SELV)
----------------	----------------

Commercial data

country of origin	CZ
customs tariff number	85043180
minimum order quantity	1