

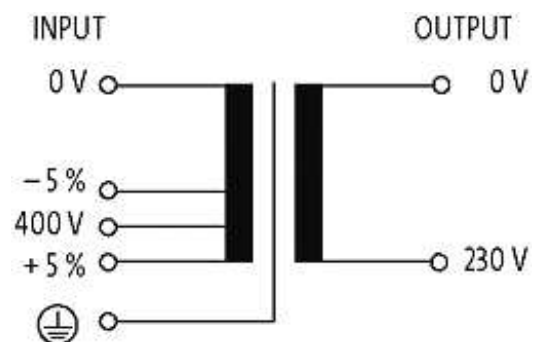
## MET 1-PHASE CONTROL AND ISOLATION TRANSFORMER

P: 1500VA IN: 400VAC+/- 5% OUT: 230VAC

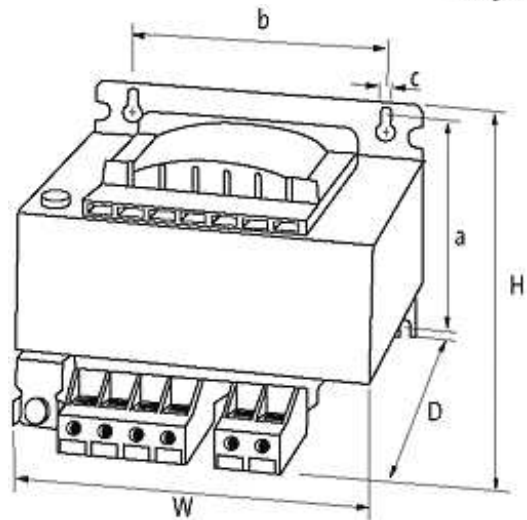
Single-phase - Control and Isolation Transformers  
1500 VA  
Isolation class T 60/B

### [Link to Product](#)

#### Illustration



stay connected



Product may differ from Image

### Approvals



### Input

Input voltage	400 V AC $\pm 5\%$
Frequency	50...60 Hz
Short-circuit current	201.5 A (400 V AC)
Input current	3.97 A (400 V AC)
Inrush current	50 A (400 V AC)

### General data

Standards	EN 61558-1, EN 61558-2-4, EN 62041 category 0
Test isolation voltage	4 kV (prim./sec.)
Dimensions H x W x D	168x174x162 mm
Fixing centers a x b x c	141.5x135x7 mm
Drill hole $\varnothing$	7x11 mm
Mounting method	Key-hole mounting
Temperature range	-20...+60 °C, no condensation

### Output

Output voltage	230 V AC
----------------	----------

### Commercial data

country of origin	CZ
customs tariff number	85043200
minimum order quantity	1