

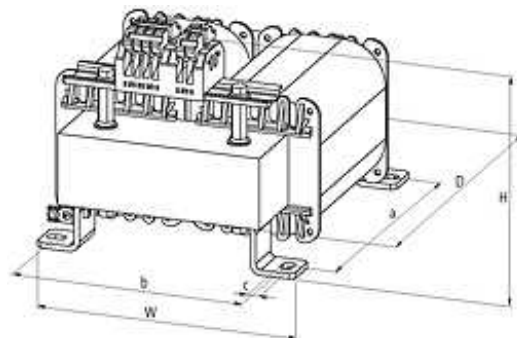
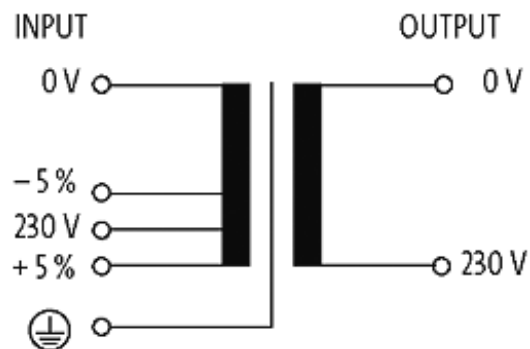
## MET 1-PHASE CONTROL AND ISOLATION TRANSFORMER

P: 2000VA IN: 230VAC+/- 5% OUT: 230VAC

Single-phase - Control and Isolation Transformers  
2000 VA  
Isolation class T 40/B

### [Link to Product](#)

#### Illustration



Product may differ from image

The information in this brochure has been compiled with the utmost care.

Liability for the correctness completeness and topicality of the information is restricted to gross negligence. Version: 05/16

Murrelektronik GmbH | Falkenstraße 3, 71570 Oppenweiler | Fon +49 (71 91) 47-0, Fax +49 (71 91) 47-491000 | [shop@murrelektronik.com](mailto:shop@murrelektronik.com) | [shop.murrelektronik.com](http://shop.murrelektronik.com)

Product may differ from image

### Approvals



### Input

|                       |                    |
|-----------------------|--------------------|
| Input voltage         | 230 V AC $\pm$ 5 % |
| Frequency             | 50...60 Hz         |
| Short-circuit current | 334.8 A (230 V AC) |
| Input current         | 9.2 A (230 V AC)   |
| Inrush current        | 142.2 A (230 V AC) |

### General data

|                          |   |
|--------------------------|---|
| Standards                | EN 61558-1, EN 61558-2-4, EN 62041 category 0 |
| Test isolation voltage   | 4 kV (prim./sec.)                             |
| Dimensions H x W x D     | 170x195x250 mm                                |
| Fixing centers a x b x c | 200x174x9 mm                                  |
| Drill hole $\varnothing$ | 9x14 mm                                       |
| Mounting method          | Long-hole mounting                            |
| Temperature range        | -20...+40 °C, no condensation                 |

### Output

|                |          |
|----------------|----------|
| Output voltage | 230 V AC |
|----------------|----------|

### Commercial data

|                        |          |
|------------------------|----------|
| country of origin      | CZ       |
| customs tariff number  | 85043200 |
| minimum order quantity | 1        |