

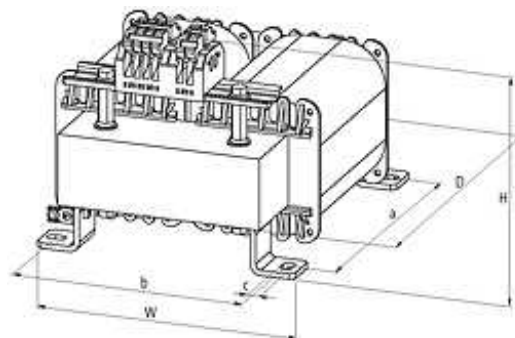
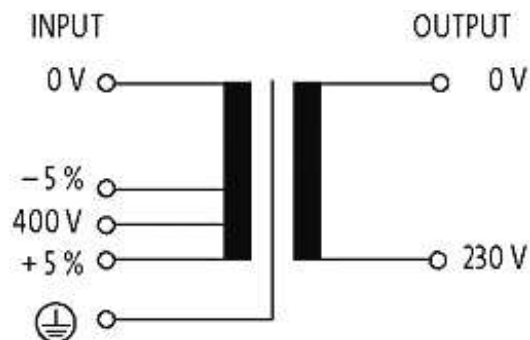
## MET 1-PHASE CONTROL AND ISOLATION TRANSFORMER

P: 2000VA IN: 400VAC+/- 5% OUT: 230VAC

Single-phase - Control and Isolation Transformers  
2000 VA  
Isolation class T 40/B

### [Link to Product](#)

#### Illustration



Product may differ from image

Product may differ from image

### Approvals



### Input

|                       |                    |
|-----------------------|--------------------|
| Input voltage         | 400 V AC $\pm$ 5 % |
| Frequency             | 50...60 Hz         |
| Short-circuit current | 182 A (400 V AC)   |
| Input current         | 5.1 A (400 V AC)   |
| Inrush current        | 76 A (400 V AC)    |

### General data

|                          |   |
|--------------------------|---|
| Standards                | EN 61558-1, EN 61558-2-4, EN 62041 category 0 |
| Test isolation voltage   | 4 kV (prim./sec.)                             |
| Dimensions H x W x D     | 170x195x250 mm                                |
| Fixing centers a x b x c | 200x174x9 mm                                  |
| Drill hole $\varnothing$ | 9x14 mm                                       |
| Mounting method          | Long-hole mounting                            |
| Temperature range        | -20...+40 °C, no condensation                 |

### Output

|                |          |
|----------------|----------|
| Output voltage | 230 V AC |
|----------------|----------|

### Commercial data

|                        |          |
|------------------------|----------|
| country of origin      | CZ       |
| customs tariff number  | 85043200 |
| minimum order quantity | 1        |