

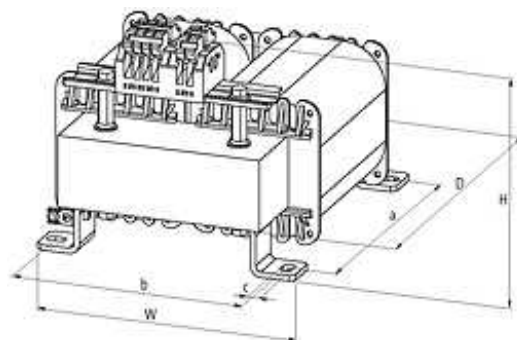
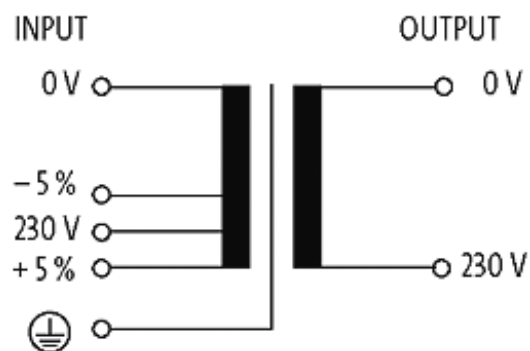
MET 1-PHASE CONTROL AND ISOLATION TRANSFORMER

P: 4000VA IN: 230VAC+/- 5% OUT: 230VAC

Single-phase - Control and Isolation Transformers
4000 VA
Isolation class T 40/B

[Link to Product](#)

Illustration



Product may differ from image

Product may differ from image

Approvals



Input

Frequency	50...60 Hz
Short-circuit current	807.5 A (230 V AC)
Input current	18 A (230 V AC)
Inrush current	337 A (230 V AC)

General data

Standards	EN 61558-1, EN 61558-2-4, EN 62041 category 0
Test isolation voltage	4 kV (prim./sec.)
Dimensions H × W × D	206×198×250 mm
Fixing centers a × b × c	200×174×9 mm
Drill hole Ø	9×14 mm
Mounting method	Long-hole mounting
Temperature range	-20...+40 °C, no condensation

Output

Output voltage	230 V AC
----------------	----------

Commercial data

country of origin	CZ
customs tariff number	85043200
minimum order quantity	1