

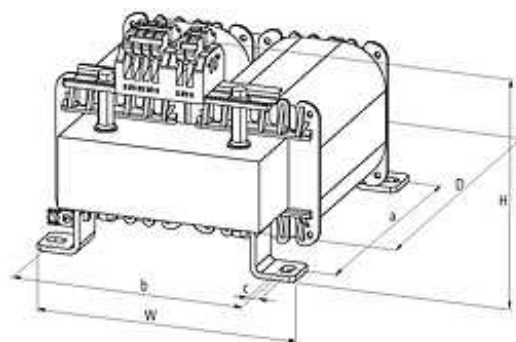
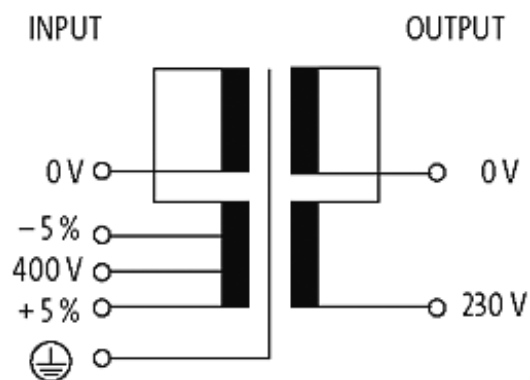
## MET 1-PHASE CONTROL AND ISOLATION TRANSFORMER

P: 4000VA IN: 400VAC+/- 5% OUT: 230VAC

Single-phase - Control and Isolation Transformers  
4000 VA  
Isolation class T 40/B

### [Link to Product](#)

#### Illustration



Product may differ from Image

### Approvals



### Input

Input voltage	400 V AC $\pm 5\%$
Input current	10.3 A (400 V AC)
Inrush current	357 A (400 V AC)
Short-circuit current	696 A (400 V AC)
Frequency	50...60 Hz

### General data

Test isolation voltage	4 kV (prim./sec.)
Standards	EN 61558-1, EN 61558-2-4, EN 62041 category 0
Drill hole $\varnothing$	9x14 mm
Fixing centers a x b x c	200x174x9 mm
Mounting method	Long-hole mounting
Dimensions H x W x D	206x198x250 mm
Temperature range	-20...+40 °C, no condensation

### Output

Output voltage	230 V AC
----------------	----------

### Commercial data

country of origin	CZ
customs tariff number	85043200
minimum order quantity	1